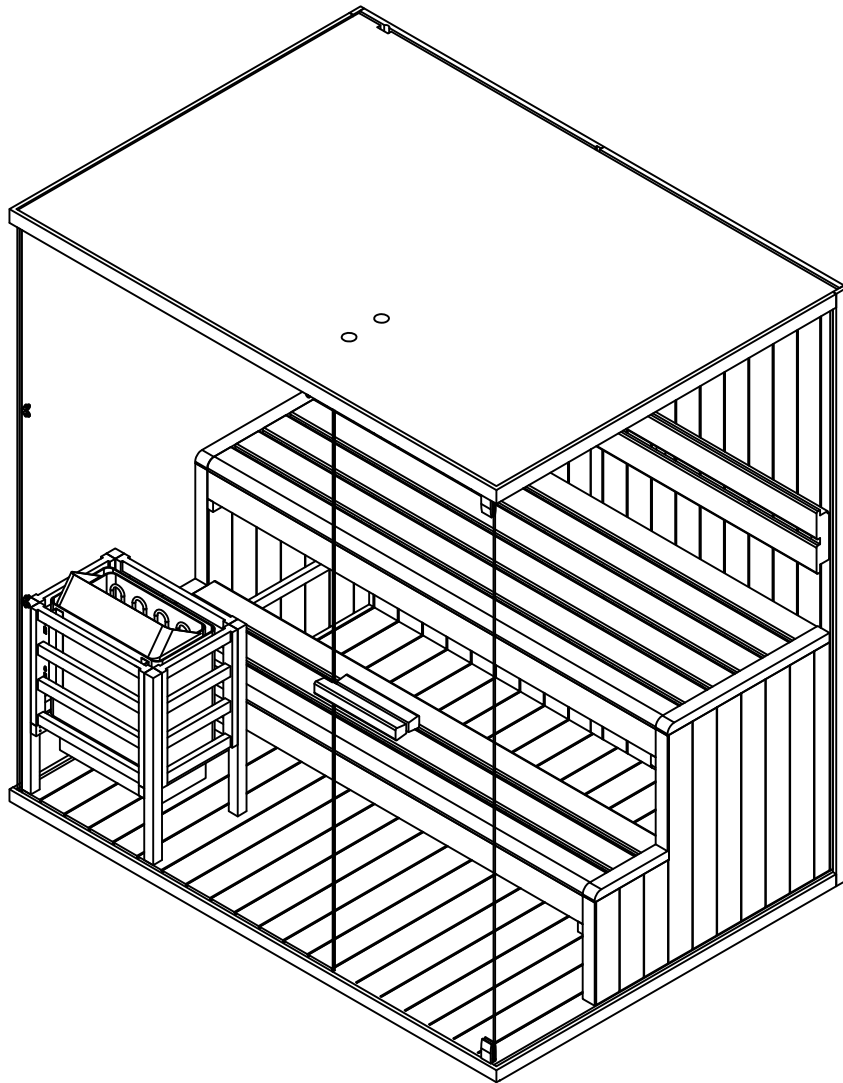


User's manual

EN



BELLA 180B

PREFACE

Thank you very much for purchasing our product.

Please read this manual carefully before assembling and save it afterwards. Please write down the control box serial number of the cabin as this number will be required in case of repair or order of spare parts.

ATTENTION

Installation and repair should only be done by a qualified electrician!

Check power supply rating and make sure the grounded outlet is correctly connected before installation.

Use original parts only. Do not share the outlet with any other appliances.

When not in use, turn off the cabin's power unit.

Locate your cabin indoors and on a flat, level and dry surface. A protective cover for the Sauna is required.

DANGER

Covering the heaters causes a fire hazard due to overheating. Do not cover the heaters !

Keep flammable or easily combustible materials/objects (eg.towels) away from the heater at all times.

Do not touch the heater during and shortly after use as a burning hazard exists due to hot parts.

The light bulb heats in use. If the bulb needs to be changed, unplug the cabin and let the bulb cool down before changing it.

Should the electrical connection get damaged, it must be replaced-either by the manufacturer or by a licensed electrician!

WARNING

If you suffer from illness or other health-related problems, especially heart conditions or circulatory disturbances or if you take medication, you should consult a doctor before using the Sauna.

Children and frail persons should never be in the cabin without supervision.




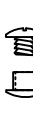


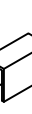

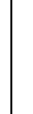



If you feel uncomfortable while using the Sauna, stop immediately and consult with your doctor.

Never go to a hot Sauna if you have taken alcohol, strong medicines or narcotics.

Technical data

Model	Sauna 180B
Cabin material	Spruce wood
Depth	1800mm
Width	1300mm
Height	1900mm
Voltage	AC230V
Sauna stove	4500W

Hardware parts (variations possible)

											
Ø4x12	Ø4x45	Ø4x70	Ø3*16	Ø6x50	HEX CAP NUTS	Wood pad					
20x	48x	16x	1x	2x	12x	2x	2x	1x	6x	4x	2x

ASSEMBLE INSTRUCTIONS

Assemble tips

Please remove transport packaging and inspect that your infrared cabin has been delivered complete and

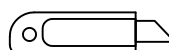
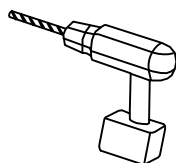
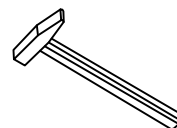
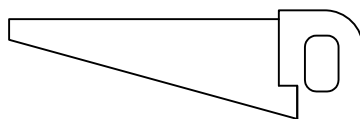
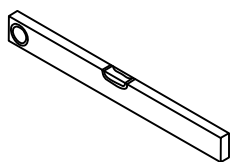
intact before beginning assemble.

A least 2 persons are required for assemble of the cabin.

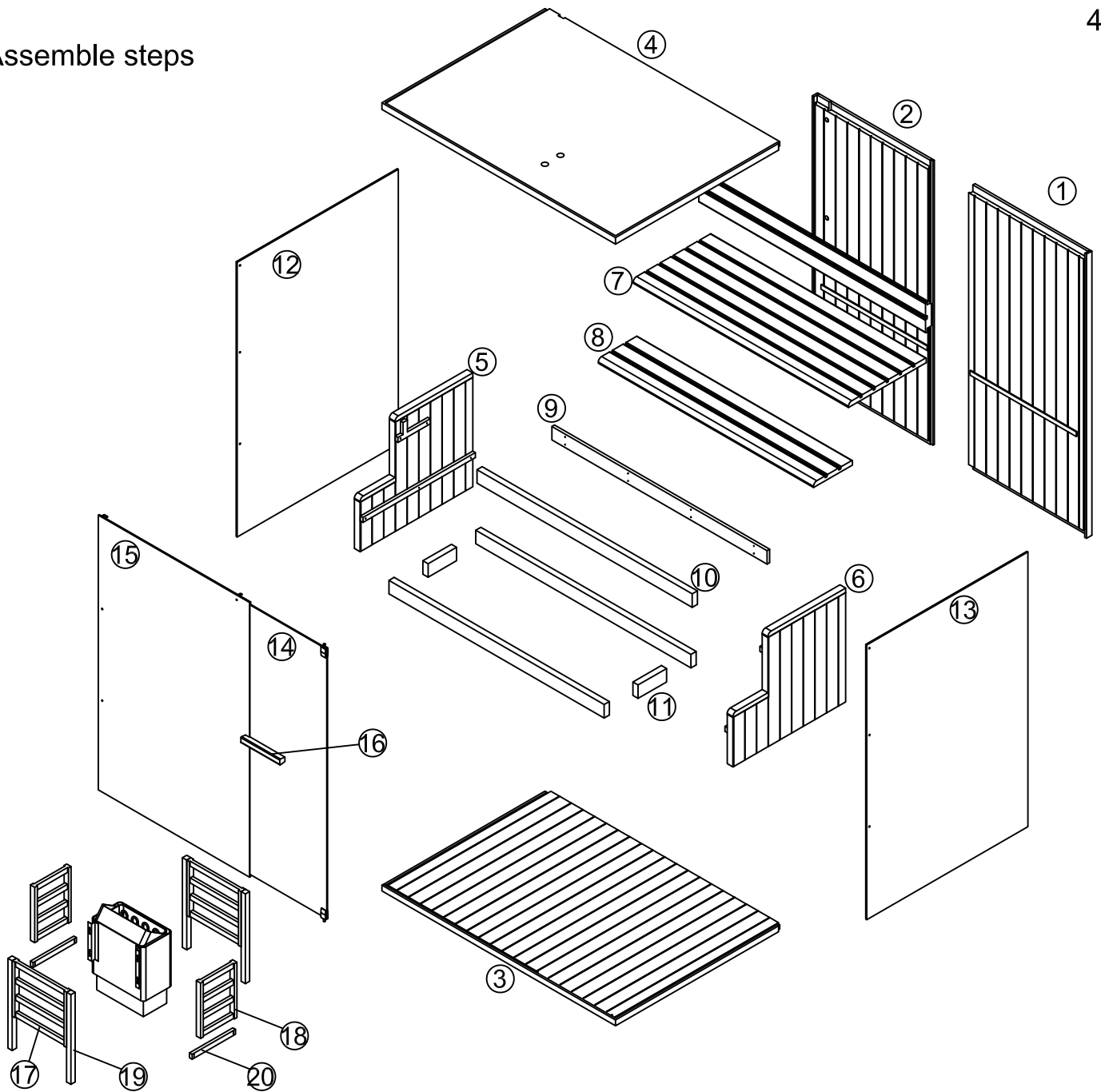
Please check the countersink and hole diameter of the drill holes to avoid damaging the wood.

The minimum room height required for installation is 2020mm

Tools

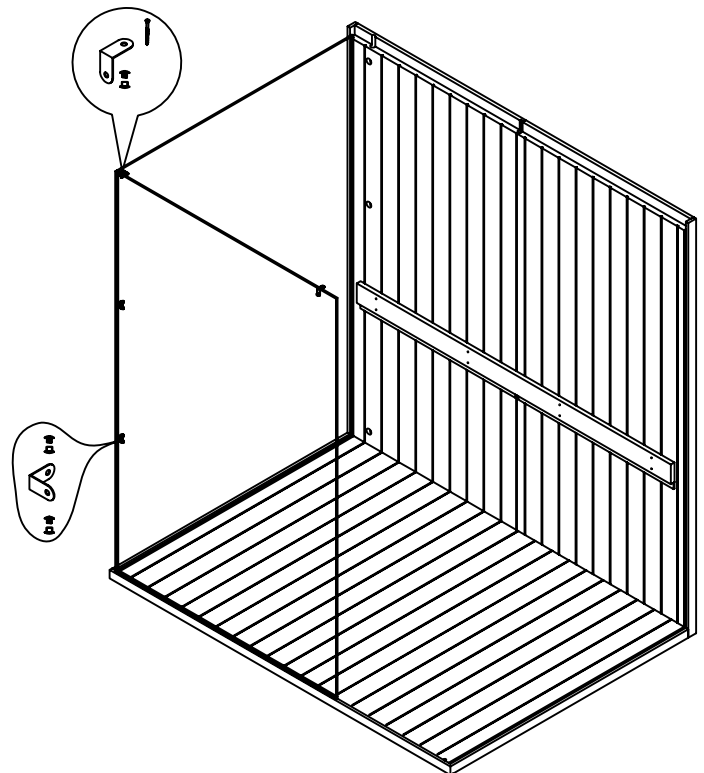
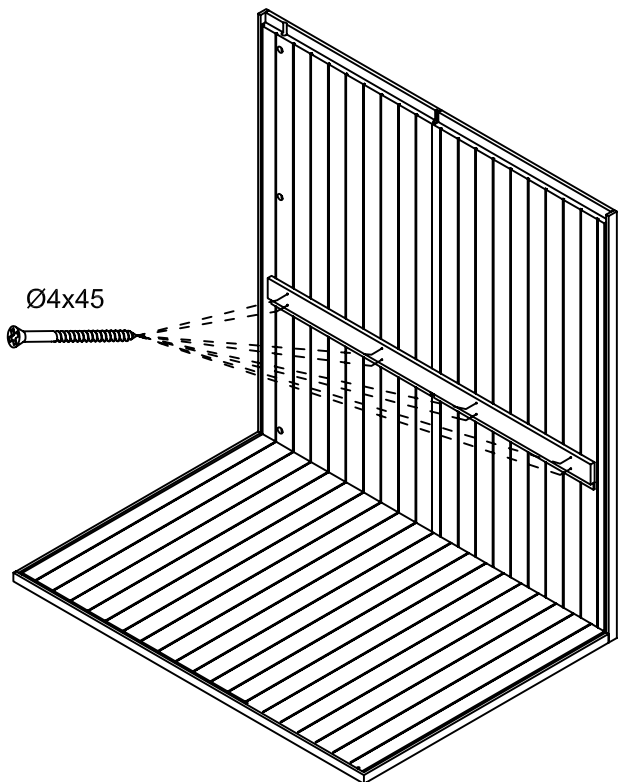
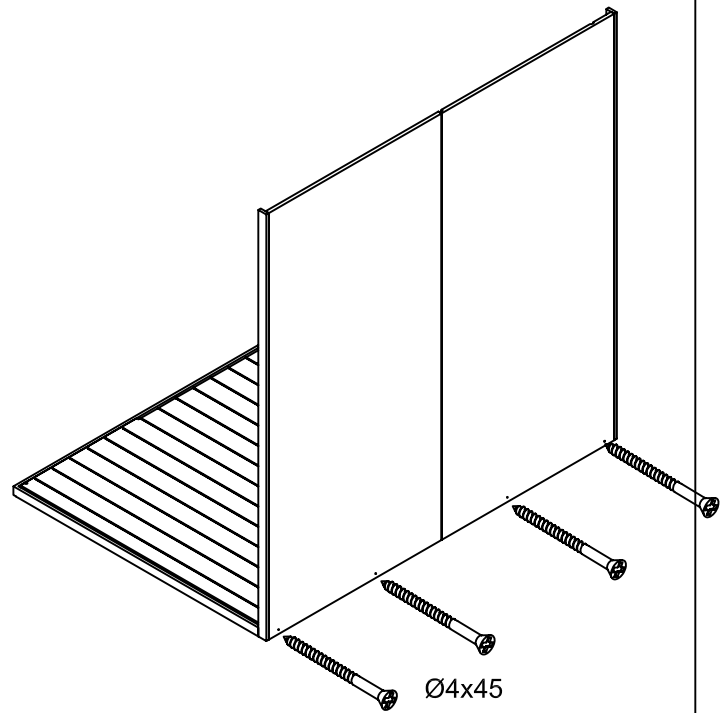
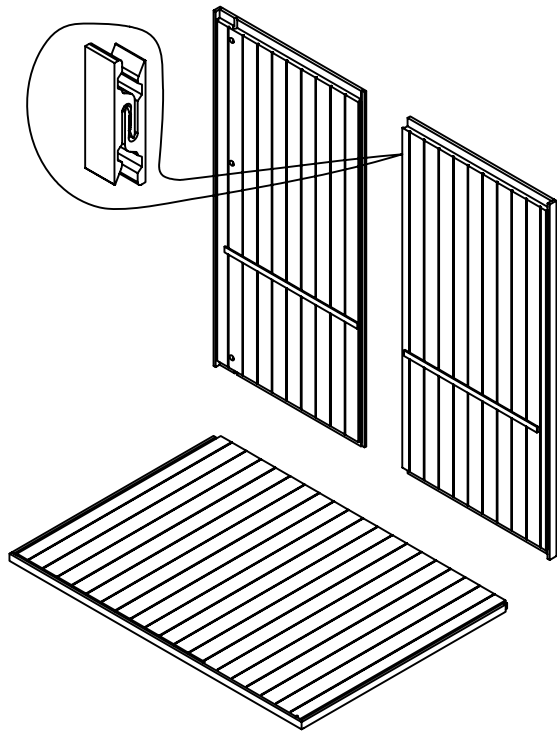


Assemble steps

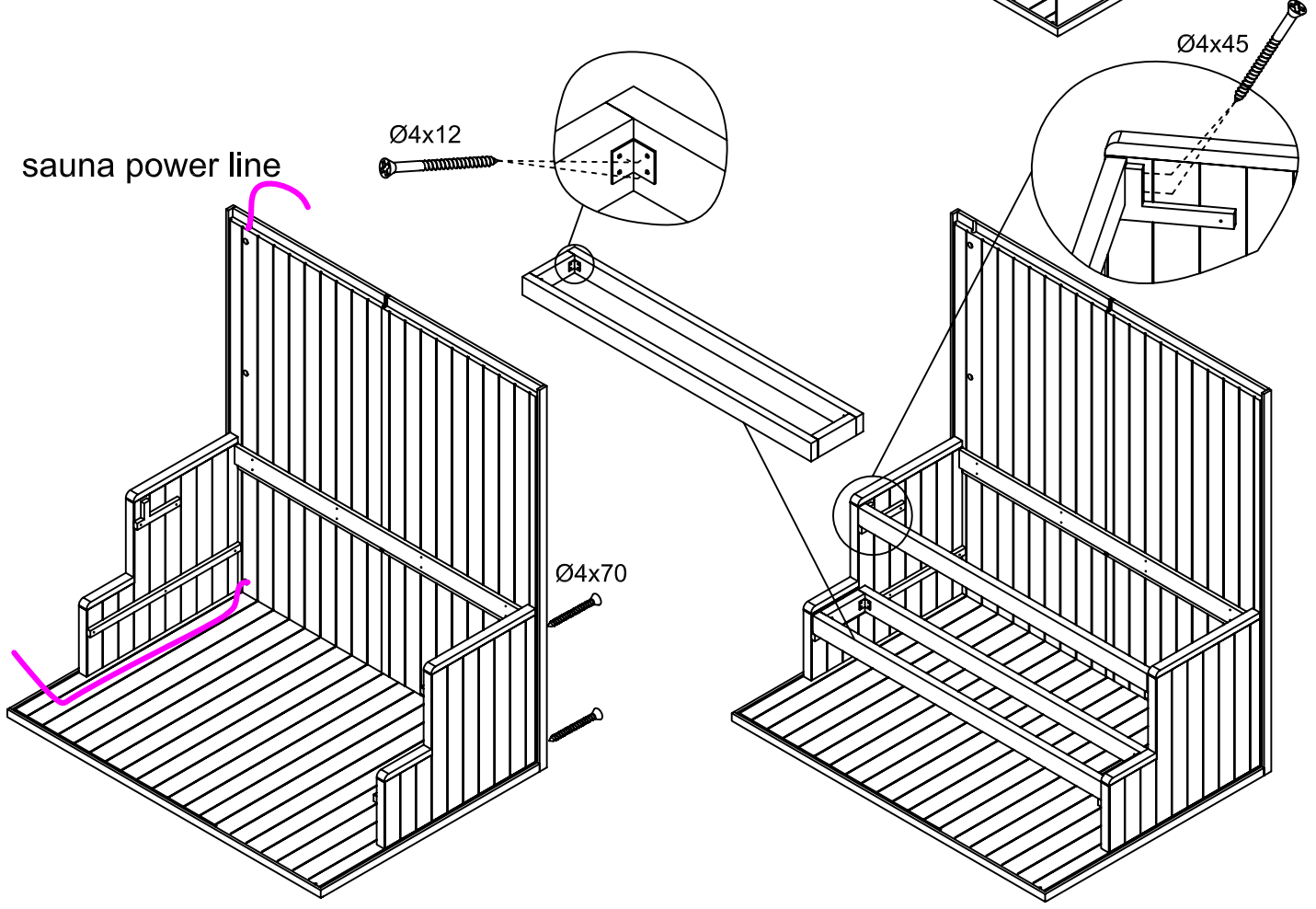
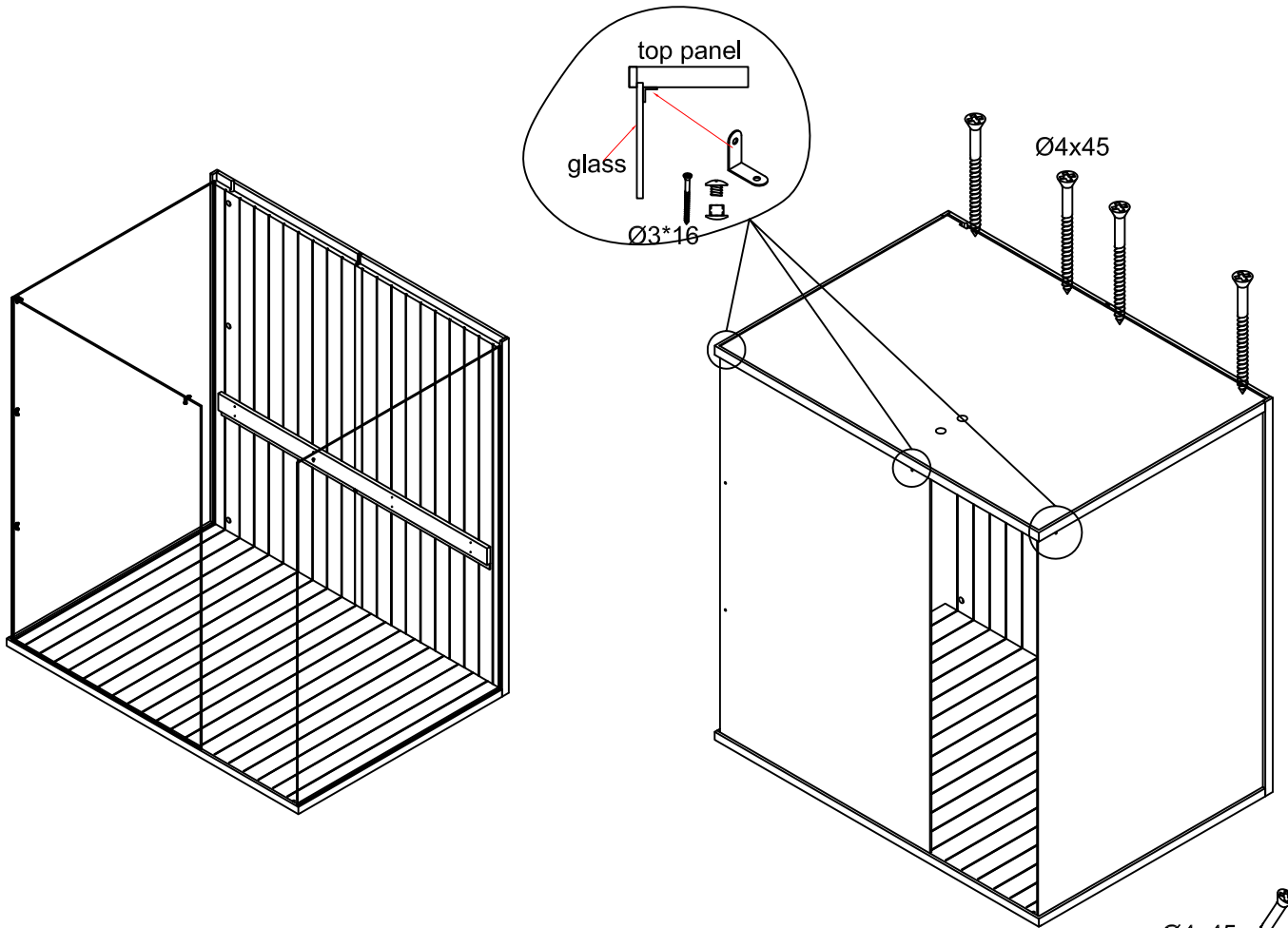


X1	X1	X1	X1	X1	X1	X1	X1	X1
1900*900*41MM	1900*908*41MM	1800*1280*39MM	1800*1280*44MM	870*760*44MM	870*760*44MM	1660*600*33MM	1660*300*33MM	1660*90*20MM
X3	X2	X1	X1	X1	X1	X2	X2	X2
1660*90*40MM	220*90*40MM	1837*1244*8MM	1837*1253*8MM	1803*594*6MM	1803*1167*6MM	300*40*40MM	420*370*33MM	280*370*33MM
X4	X2							
600*33*33MM	335*33*20MM							

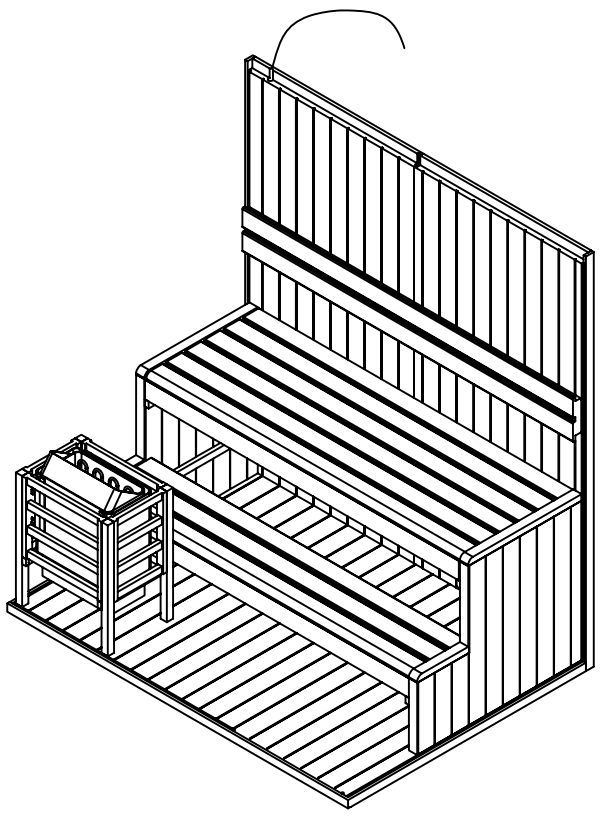
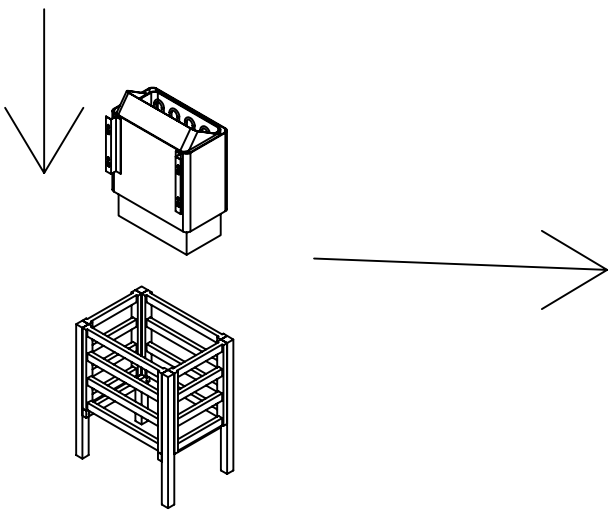
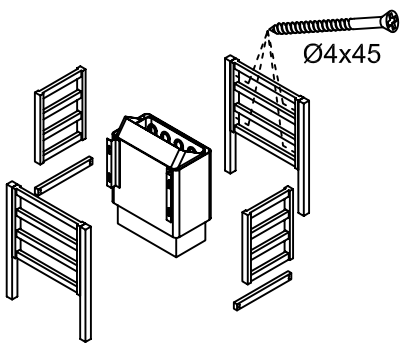
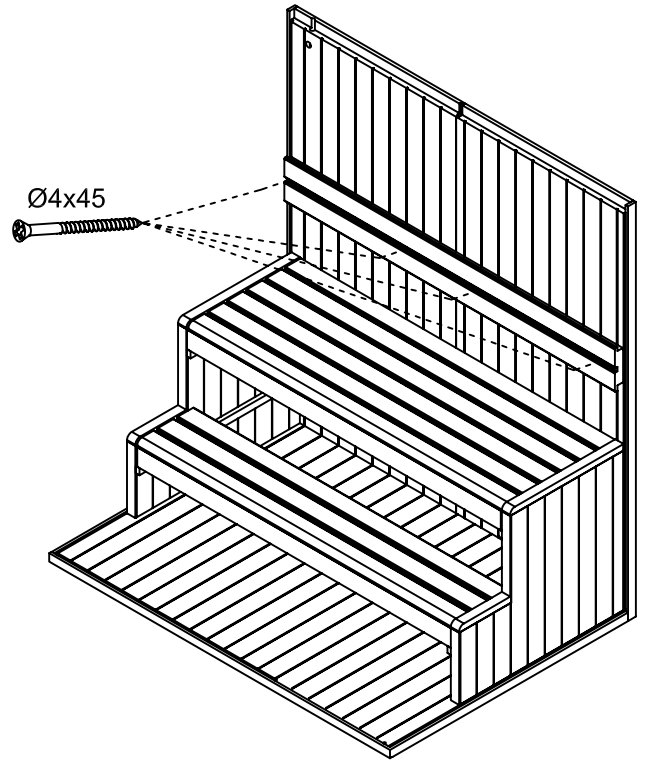
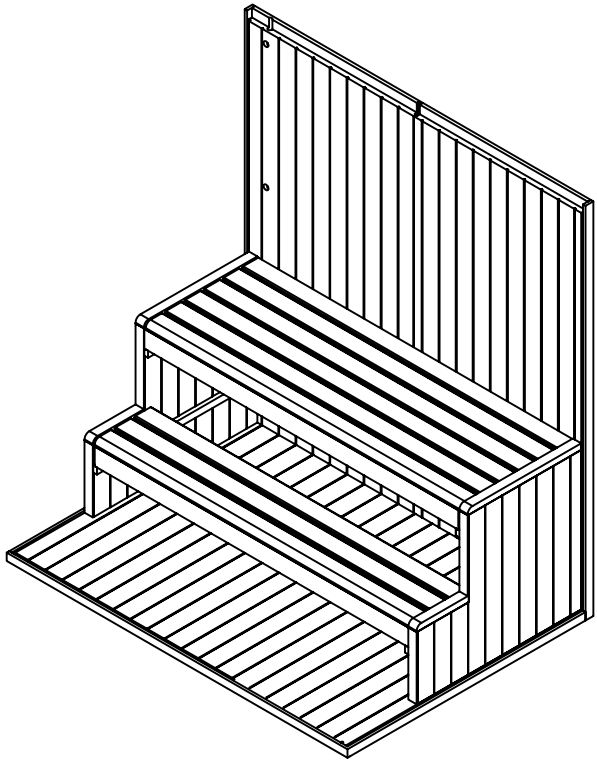
Assemble steps



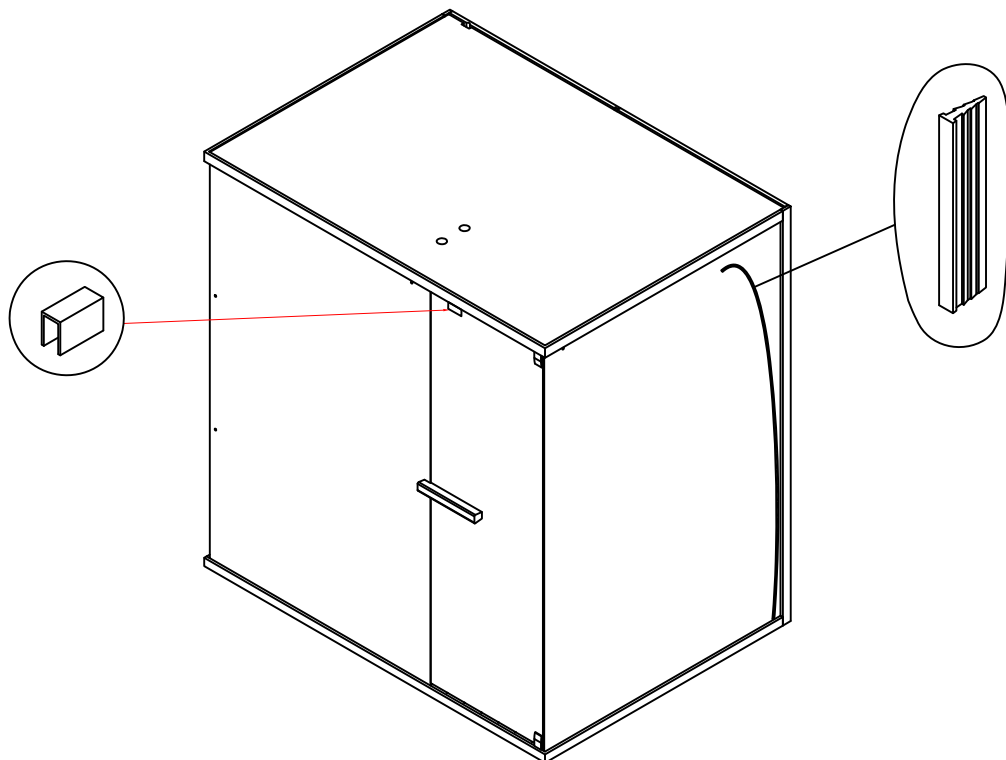
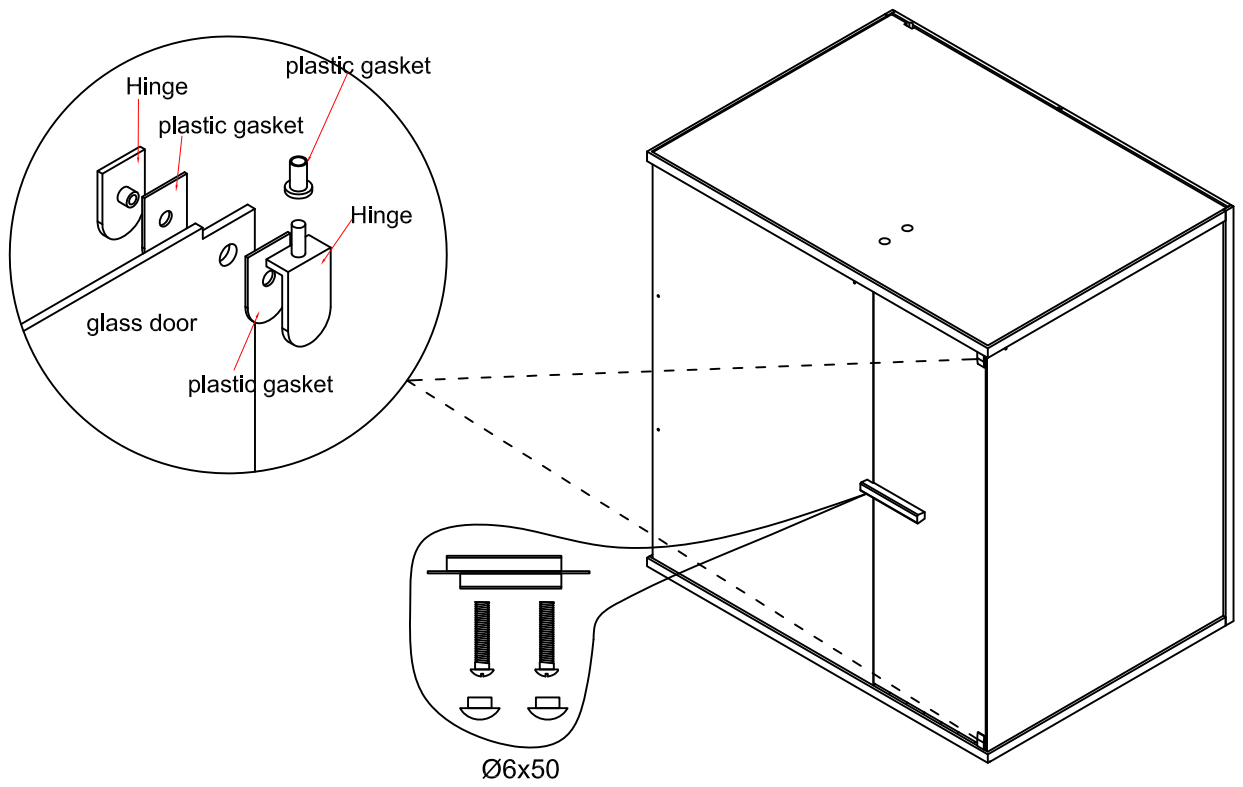
Assemble steps



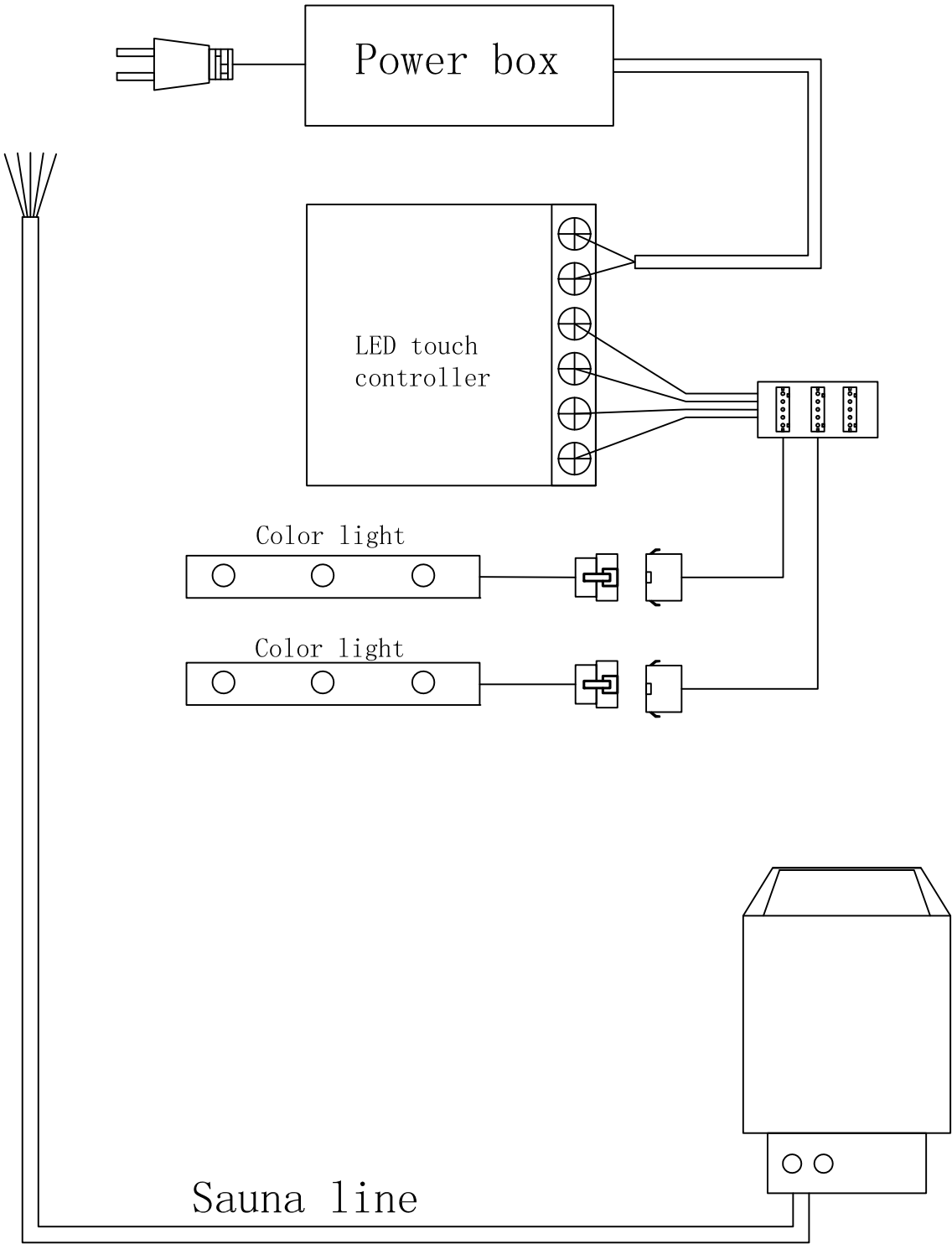
Assemble steps



Assemble steps



Assemble steps



SERVICE

Use instructions

Drink plenty of liquids before and after use of the infrared cabin.

Dry yourself off completely.

The optimal cabin temperature for a pleasant session lies between 35 and 60°C.

After a heating period of an hour at the latest, the cabin should be switched off and a heating brake of at least 30 minutes should be taken.

Maintenance instructions

Clean the cabin with a damp cotton towel, dry with a clean dry towel.

Clean the glass with a window/glass cleaner and a soft cloth.

Do not pour water in the control panel or clean it with wet cloth. For cleaning purposes, use a cleaning cloth that has been only slightly moistened with a mild soapy solvent (dish detergent).

Do not use chemical detergents to clean the cabin.

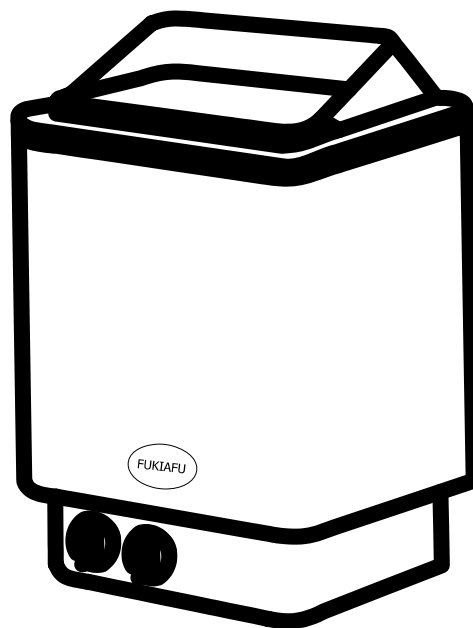
Please fasten the screws of the bench once every three months, avoid the loose or drop off.

It is recommended to take a warm shower and relax after use.

Notes:

INSTALLATION MANUAL:FOR MODELS

SCA-30
SCA-45
SCA-60
SCA-80
SCA-90



SAUNA HEATER

Use ordinary drinking water only, other materials poured into the stone compartment may damage the heating elements, which is beyond our guarantee

WARNING :
PLEASE READ THIS MANUAL
CAREFULLY BEFORE USE

SAUNA ROCKS

Load adequate sauna rocks (10-15kg) into the sauna heater after finishing the installation of sauna heater and controller.

ATTENTION:Sauna rocks must be of finest qualities because temperature inside sauna heater is extremely high. Rocks not be able to withstand heat and the great heat changes easily break or get crumbling and damage the heating elements, or are easily oxidized which in return counteract the heat circulation and damage the sauna heater while being heated or being thrown water to for vapors causes.

WARNING

- 1.Electrical shock hazard-----there are no owner serviceable parts in sauna heater. To avoid electrical shock hazard, all installations and relevant services shall be performed by qualified personnel.
- 2.Sauna shall be less than half an hour. Bathing too long may cause heart beating too fast, light heartache, feeling weak or dizzy. Should the bather stop bathing immediately as soon as the above symptoms occur.
- 3.Sauna bath may cause tension to the bather. Thus, one who is one of the followings should be directed by physician:
 - A. Being pregnant
 - B. Having heart disease
 - C. Having high blood pressure
 - D. Having circulation system disease
 - E. After drinking
 - F. After taking medicine.
 - G. Diabetes
 - H. Not feeling well.
5. Risk of scald: Must not touch the sauna heater or trim during heating, as it is hot. Stay at least 30 cm away from the hot heater.
- 4.Children must be under the company of adult in taking sauna bath.

GUARANTEE

1. Control panel is under one year guarantee.
2. Main body of sauna heater is under one year guarantee.
3. The following situations are not guaranteed:
 - 1) Installation or internal structure disassembling by unprofessional personnel
 - 2) supply voltage fluctuation range ± 10
 - 3) unqualified rocks on sauna heater's compartment
 - 4) installation without following the dimension instruction of manual

354SkSM 110A		Heating Elements 230V/240V				
Power KW						
	SEPC 62 1000W	SEPC 63 1500W	SEPC 64 2000W	SEPC 65 2670W	SEPC 63B 3000W	
3.0	1, 2, 3					
4.5		1, 2, 3				
6.0			1, 2, 3			
8.0				1, 2, 3		
9.0				1	2, 3	

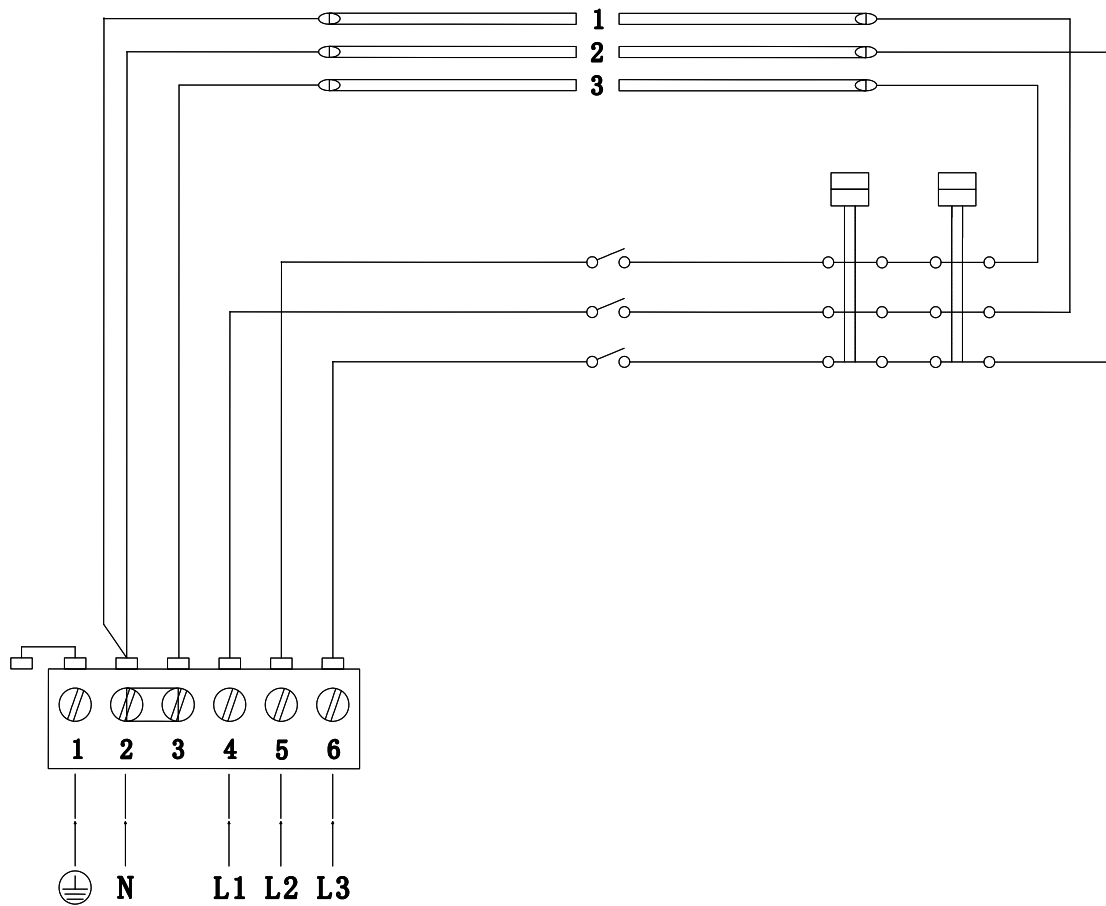
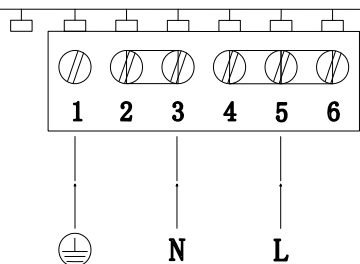


Figure 2

380V 3N~/415V 3N~



- (1) L L1 L2 L3-Connection ports of live wire
- (2) N-----Connection port of neuter wire
- (3) ⊕ -----Connection port of grounding wire

220V 1N~/240V 1N~ 4.5K/6.0mm²/3.0 2.5mm²

Figure 7

Installation

Install the sauna heater onto the wall with the screw provided in the heater, according to the minimum safety distances and volumes indicated in table 1 and figure 1, or on the plate of the heater.

-----The heater can be installed in the wall recess at the minimum height of 1900mm.

-----Do not cover the wall behind the heater with materials like asbestos or eternit plates etc, because this sort of covering protection could cause too temperature and a risk of burn.

-----Must use qualified materials for the walls and ceiling.

Guard Rails

Please follow the minimum distances requirements in figure 6 if guardrails are desired around the heater.

Connection of Electricity Supply Cable

Only the qualified electrician may conduct the electricity supply connections of the heater's cables taking into consideration of current, valid electrical safety regulations. The connecting cables of the mains supply to the heater must be of REVE rubber insulated cables or at least an equivalent (see the figure 2). There are connection ports in the junction box in sauna heater to connect the indicating lamps outside sauna (see connection ports of circuit diagram in figure 7). The section of the connecting cables is same as the one of the heater. The electricity connection box in sauna room must be of a hermetic, splashing proof type with a 7mm diameter condensation hole. The junction box should not be more than 500mm over the floor.

Sauna stones

Since the sauna stones may be dusty, we recommend that they should be rinsed before being loaded into the heater container; the largest ones should be loaded at the bottom. Do not load the stones too tight so that air can easily move between the stones whereby a good even cooling can be got for the heating elements. Reload when stones broken or crumbling so that these stones can be got out of the heater before the heating elements get damaged. The diameter of the stones is usually of 3-8 cm.

Temperature Control

The thermostat can control the temperature in an ideal condition (figure 3). Sauna heater can reach a preset temperature in 30 to 60 minutes depending on the size of sauna room. Thermostat of three phases electricity can fulfill the preservation of a good even comfortable temperature in sauna room.

Power Switch

The power switch is the main power switch of sauna heater which should be switched off while leaving sauna.

Ventilation

Good ventilation is a must for the sauna, and correctly installed ventilation creates agreeable bathing conditions, but yet still save energy. For the ventilation to be successful it is important where the ventilation openings are suited. The fresh air intake should be better situated on the wall near the bottom of the sauna heater. The diameter of air inlet must be at least 6 cm.

The exhaust opening should be better situated on the wall opposite to and as far as possible from the air intake. The diameter of the exhaust opening must be twice the size of the intake.

The exhaust opening must be situated under the bottom of the upper benches.

Noted: the upper screws must be fastened tight, the minimum distances between screw head and wall must be 3mm.

Figure 1A

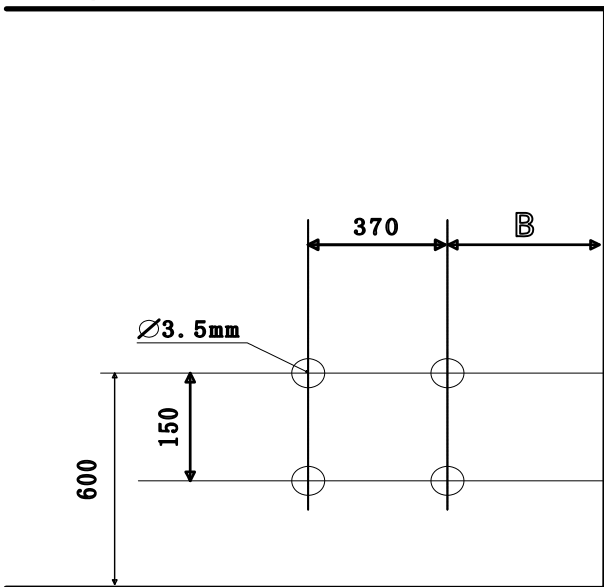


Figure 1B

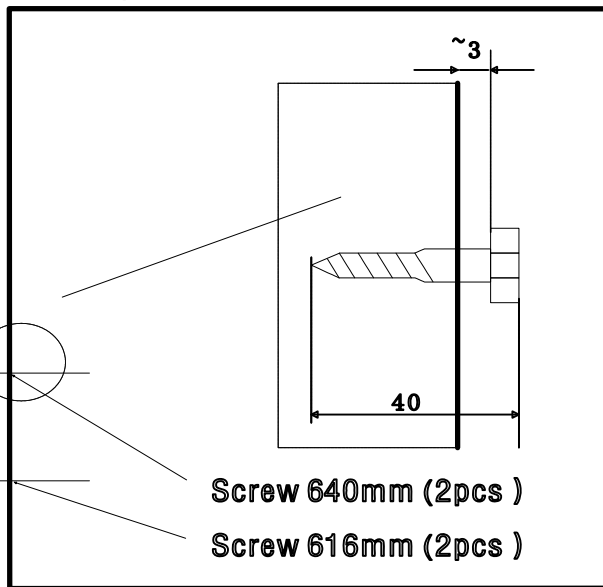


Figure 1C

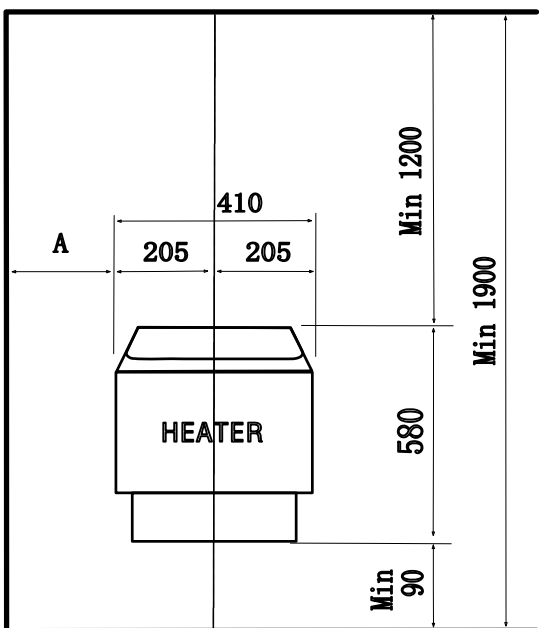


Figure 1D

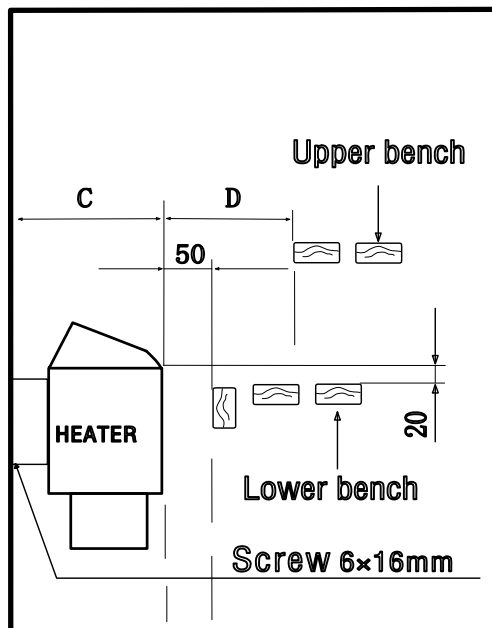


Figure 3

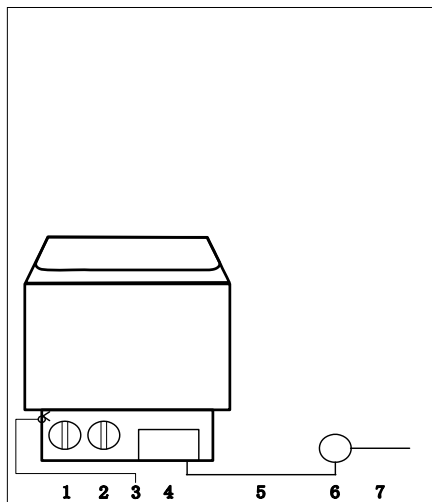


Table 1

HEATER	Distance (mm)		
	A	C	D
SCA-30	50	280	80
SCA-45	80	280	100
SCA-60	100	280	150
SCA-80	130	300	200
SCA-90	130	300	200

- 1、 Power switch
- 2、 Thermostat
- 3、 Temperature limit reposition
- 4、 Junction box
- 5、 Electricity supply cable
- 6、 Electricity connection box
- 7、 Connecting cable

Figure 4

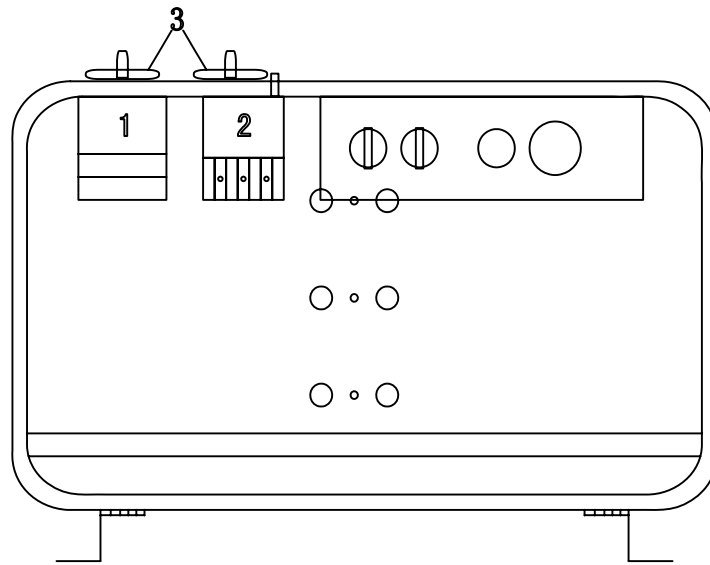


Figure 5

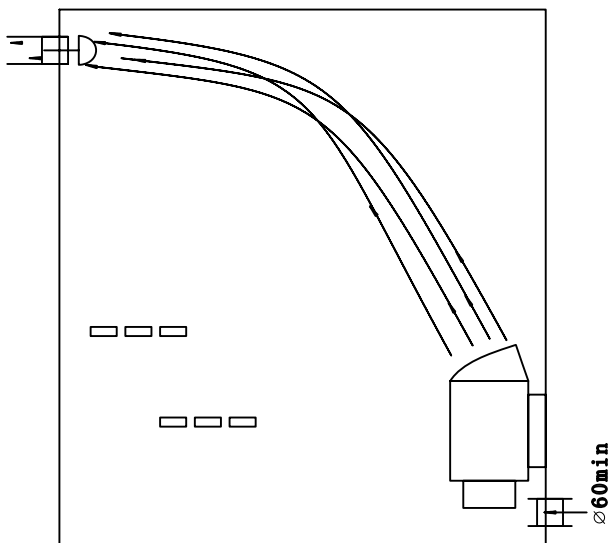


Figure 6

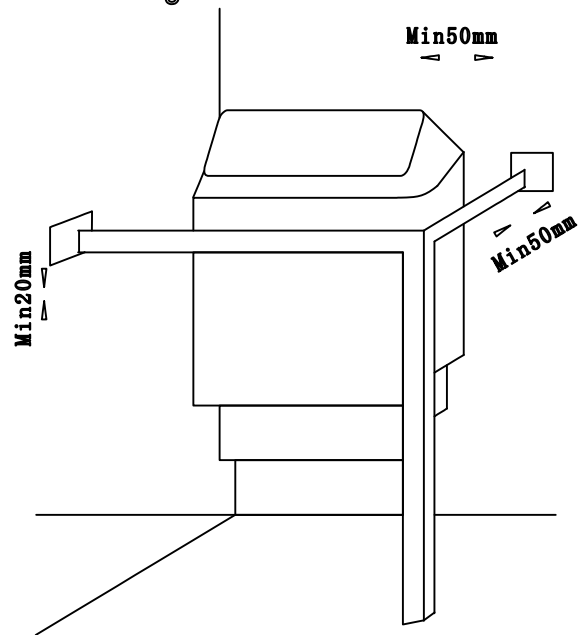


Table 2

Model	Power KW	Sauna Room			Minimum Distance From Heater to				Cables to	
		Volume m ³ Min	Volume m ³ Max	Height min. cm	Side & Back wall min. cm	If 500mm over from floor guard rail min cm	Ceiling min cm	Floor min. cm	380V 3ph 415V 3ph mm ²	220V 1ph 240V 1ph mm ²
SCA-30	3.0	2	4	190	5	5	110	18	5X1.5	3X2.5
SCA-45	4.5	3	6	190	8	8	110	18	5X1.5	6X6
SCA-60	6.0	5	9	190	10	15	110	18	5X1.5	3X10
SCA-80	8.0	8	12	190	13	20	110	18	5X2.5	3X10
SCA-90	9.0	9	13	190	13	20	110	18	5X2.5	

SERVICE

Use instructions

Drink plenty of liquids before and after use of the infrared cabin.

Dry yourself off completely.

The optimal cabin temperature for a pleasant session lies between 35 and 60°C.

After a heating period of an hour at the latest, the cabin should be switched off and a heating brake of at least 30 minutes should be taken.

Maintenance instructions

Clean the cabin with a damp cotton towel, dry with a clean dry towel.

Clean the glass with a window/glass cleaner and a soft cloth.

Do not pour water in the control panel or clean it with wet cloth. For cleaning purposes, use a cleaning cloth that has been only slightly moistened with a mild soapy solvent (dish detergent).

Do not use chemical detergents to clean the cabin.

Please fasten the screws of the bench once every three months, avoid the loose or drop off.

It is recommended to take a warm shower and relax after use.

Notes:
