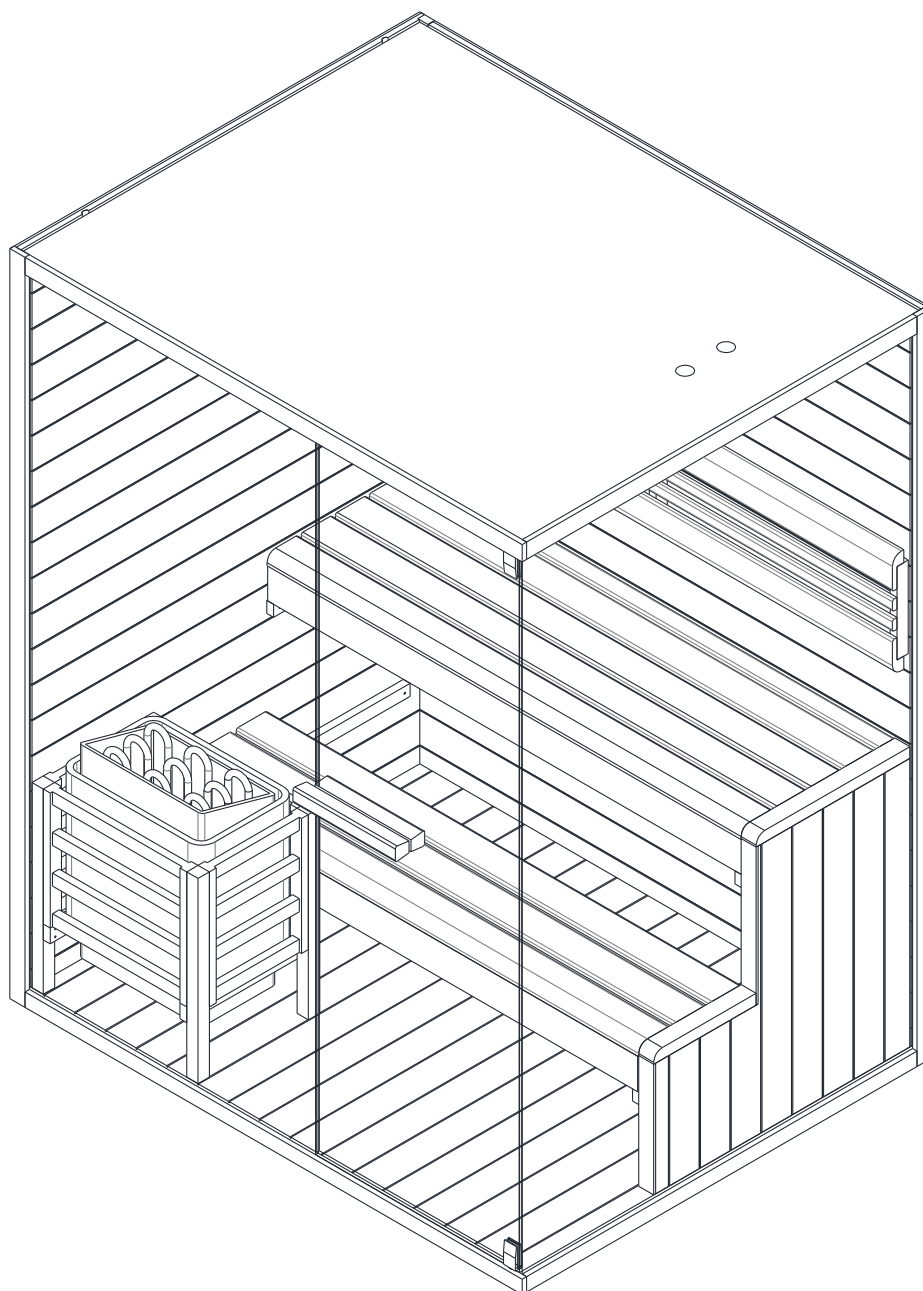


User's manual

EN



BELLA 150

PREFACE

Thank you very much for purchasing our product.

Please read this manual carefully before assembling and save it afterwards. Please write down the control box serial number of the cabin as this number will be required in case of repair or order of spare parts.

ATTENTION

Installation and repair should only be done by a qualified electrician!

Check power supply rating and make sure the grounded outlet is correctly connected before installation.

Use original parts only. Do not share the outlet with any other appliances.

When not in use, turn off the cabin's power unit.

Locate your cabin indoors and on a flat, level and dry surface.

DANGER

Heaters shall not be subjected to water spray; shower heads shall not be installed within the infrared cabin.

Covering the radiator causes a fire hazard due to overheating. Do not cover the heaters !

Keep flammable or easily combustible materials/objects (eg.towels) away from the radiator at all times.

Do not touch the radiator during and shortly after use as a burning hazard exists due to hot parts.

The light bulb heats in use. If the bulb needs to be changed, unplug the cabin and let the bulb cool down before changing it.

Should the electrical connection get damaged, it must be replaced—either by the manufacturer or by a licensed electrician!

WARNING

If you suffer from illness or other health-related problems, especially heart conditions or circulatory disturbances or if you take medication, you should consult a doctor before using the infrared cabin.

Children and frail persons should never be in the cabin without supervision.

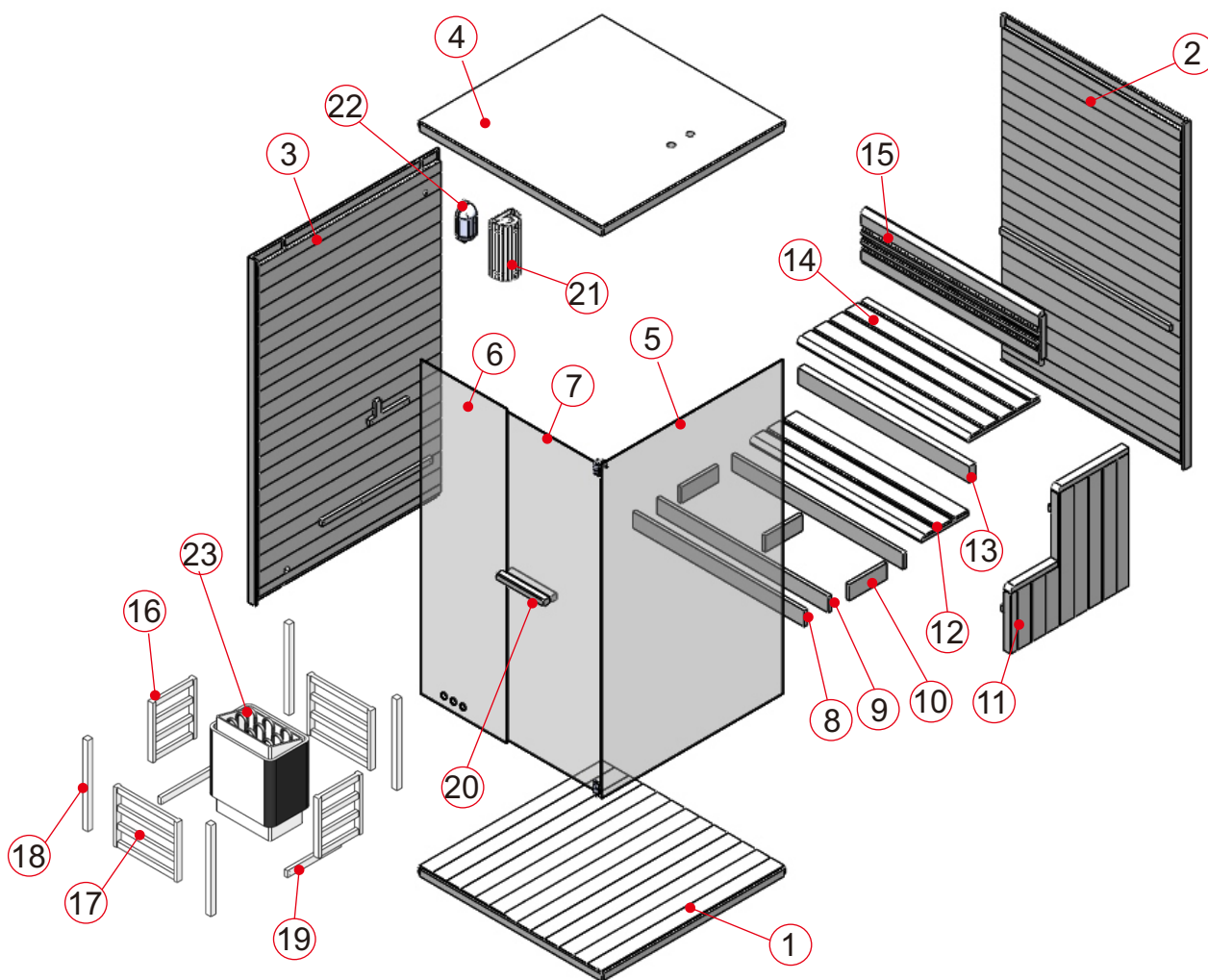
If you feel uncomfortable while using the infrared cabin, stop immediately and consult with your doctor.

Never go to a hot infrared cabin if you have taken alcohol, strong medicines or narcotics.

Technical data

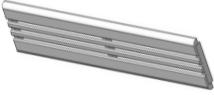
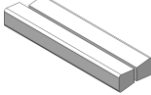
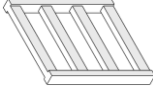
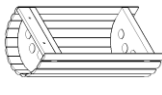
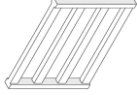

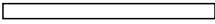
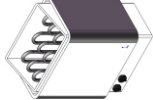
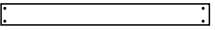
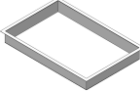
Model	SAUNA 150B
Cabin material	Spruce wood
Length	1500 mm
Width (depth)	1200 mm
Height	1905 mm
Voltage	380volt 50Hz
Stove power	4.5KW

PARTS LIST

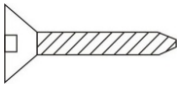

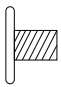
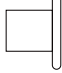
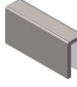





Cabin Individual parts (variations possible)

1		(1479*1179*39MM)*1	8		(1388*90*20MM)*2
2		(1900*1486*44MM)*1	9		(1388*90*20MM)*1
3		(1900*1200*44MM)*1	10		(238*90*20MM)*3
4		(1479*1179*44MM)*1	11		(761*750*44MM)*1
5		(1837*1151*8MM)*1	12		(1388*300*33MM)*1
6		(1837*843*8MM)*1	13		(1388*90*40MM)*1
7		(1803*594*8MM)*1	14		(1388*450*33MM)*1

15		(1430*300*43MM)*1	20		(300*40*40MM)*1 (270*40*40MM)*1
16		(370*280*33MM)*2	21		(300*142*105MM)*1
17		(420*370*33MM)*2	22		sauna light
18	 □	(600*33*33MM)*4	23		sauna stove
19	 □	(335*33*20MM)*2	24		stove plate

Hardware parts (variations possible)

										
Φ 3*16	Φ 4*30	Φ 4*45	Φ 4*60	Φ 6*60	Φ 4*5	Φ 5*8	Glass clip	Φ 14	Φ 16	30*30*16
13x	30x	32x	16x	2x	2x	2x	1x	2x	2x	3x

ASSEMBLE INSTRUCTIONS

Assemble tips

Please remove transport packaging and inspect that your infrared cabin has been delivered complete and intact before beginning assemble.

A least 2 persons are required for assemble of the cabin

Please check the countersink and hole diameter of the drill holes to avoid damaging the wood. .

The minimum room height required for installation is 2170mm

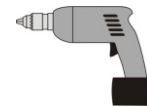
Tools



Screwdriver (kit)



Tape measure



Electric drill



Spiral drill (kit)



Hammer



Allen Wrench (kit)



Cutter



Stepladder



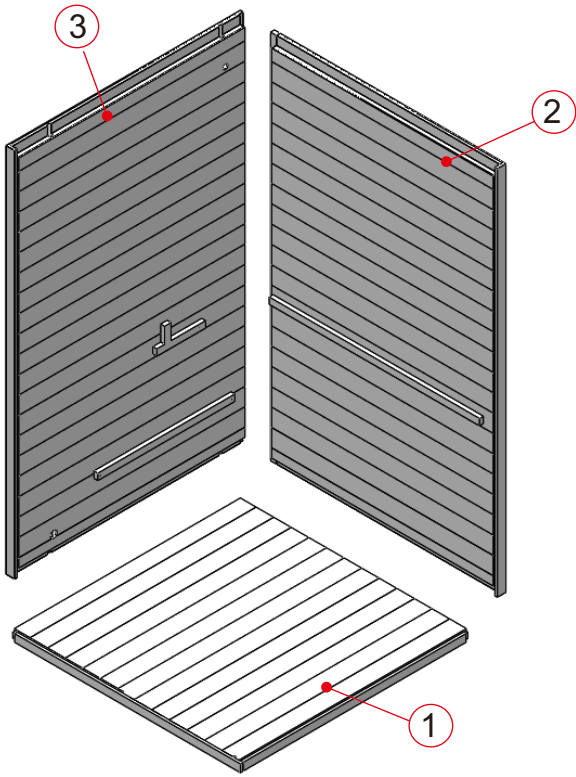
Spirit level



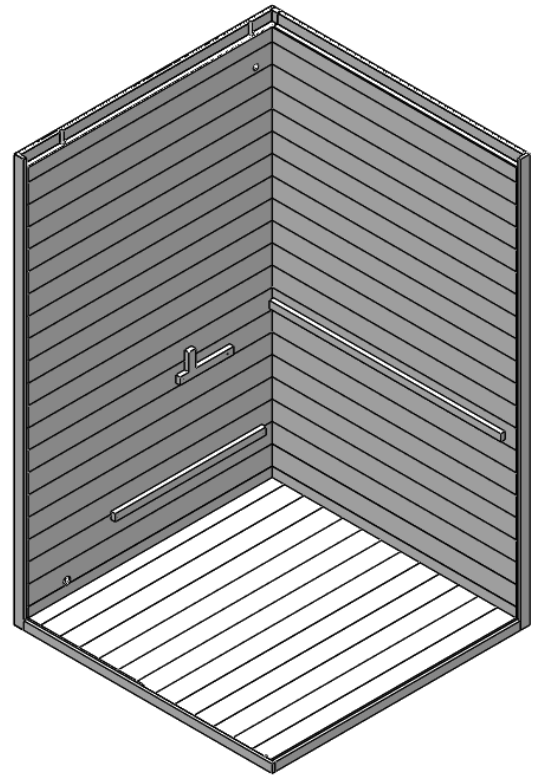
Pencil

ASSEMBLE INSTRUCTIONS

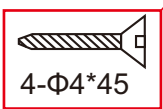
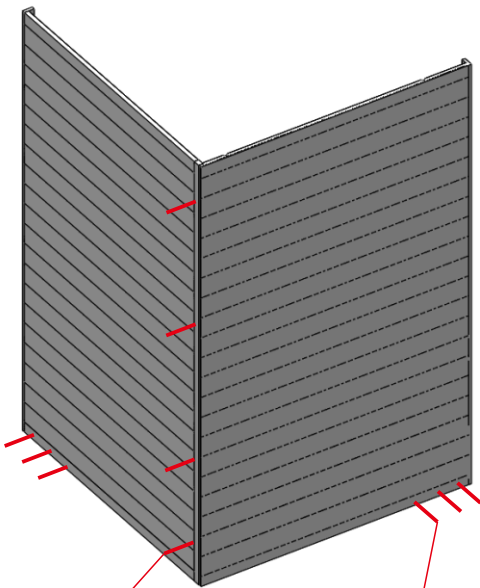
Assemble steps



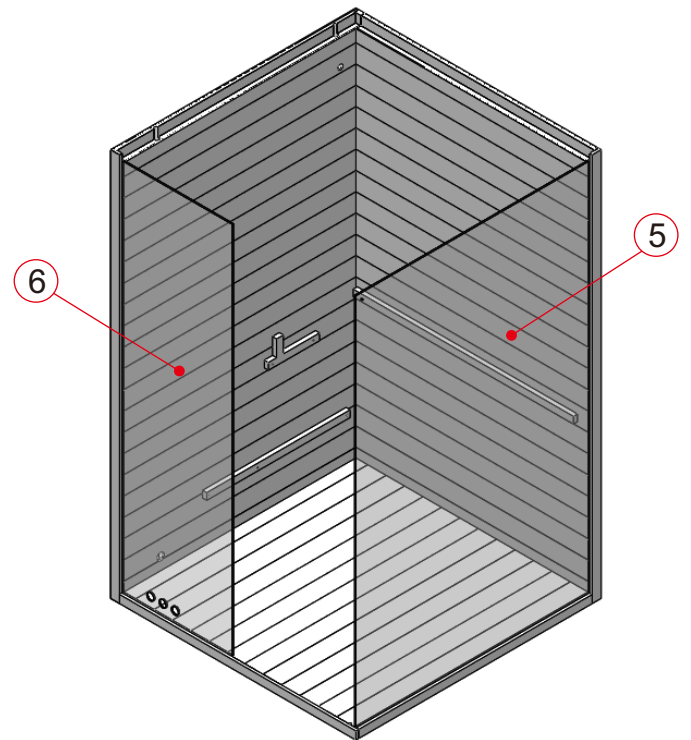
(1)



(2)



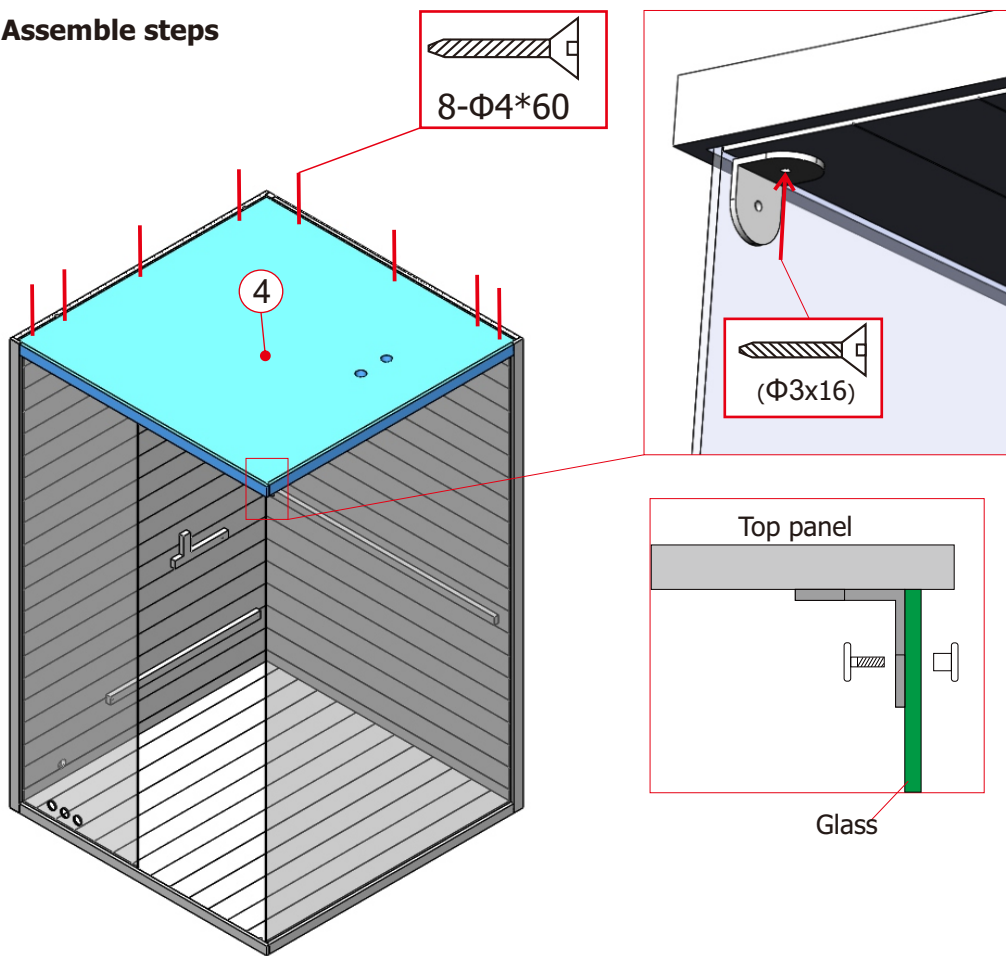
(3)



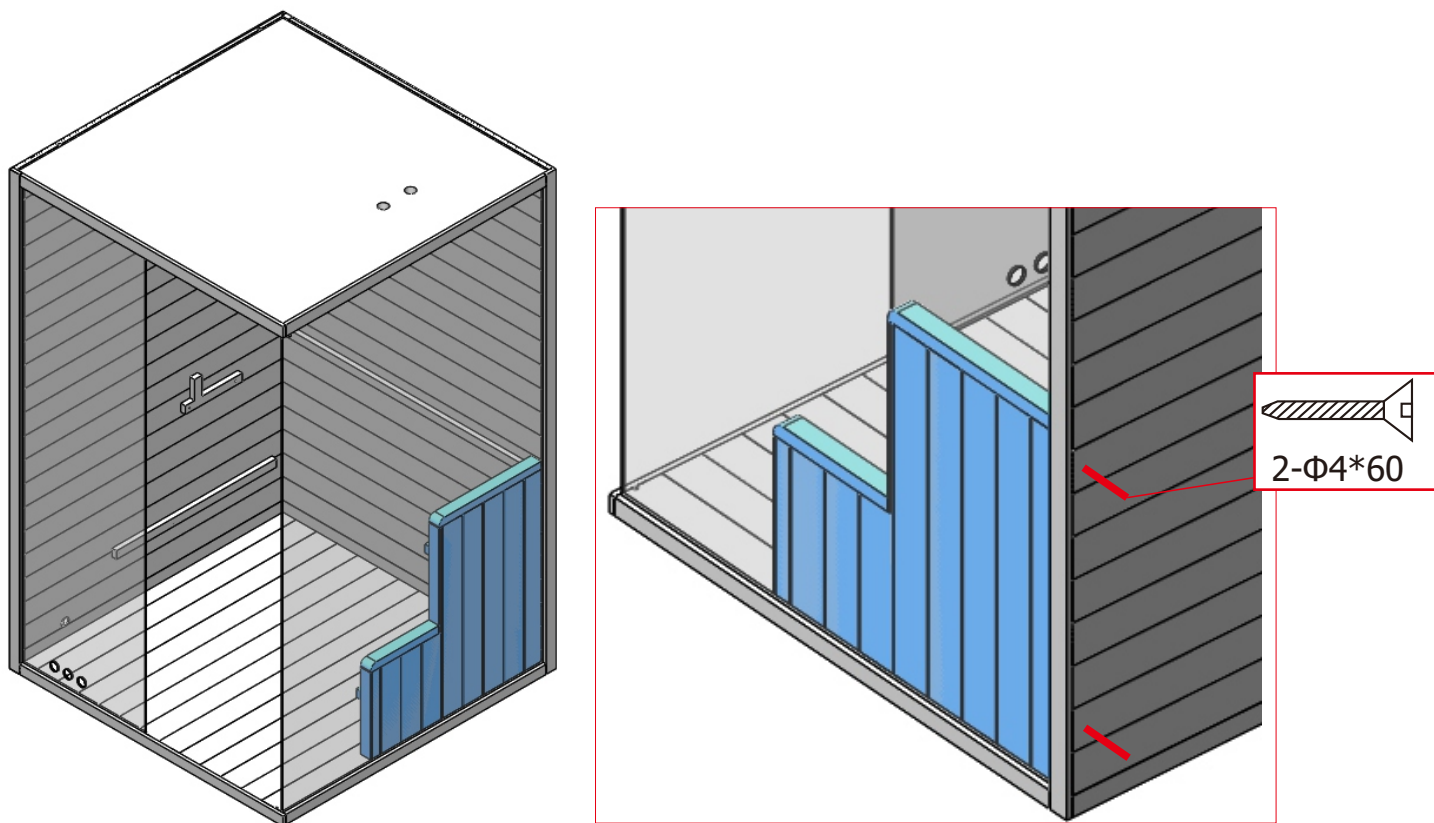
(4)

ASSEMBLE INSTRUCTIONS

Assemble steps



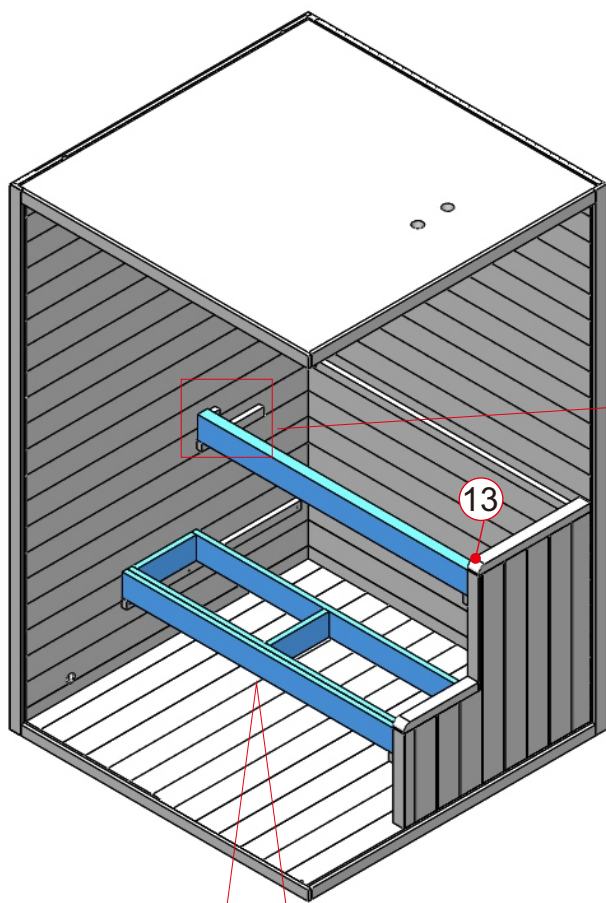
(5)



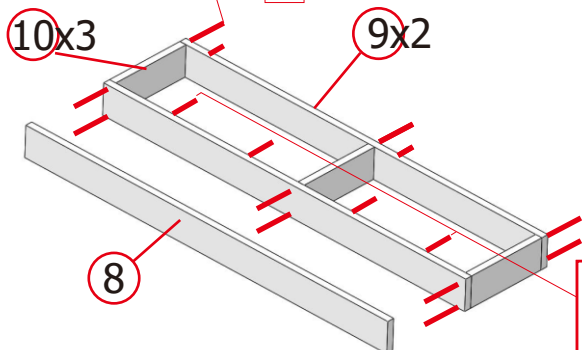
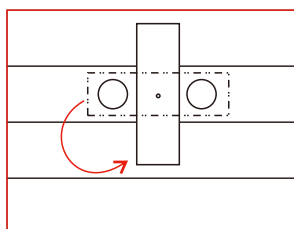
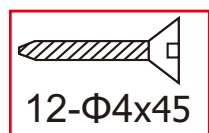
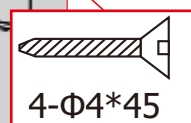
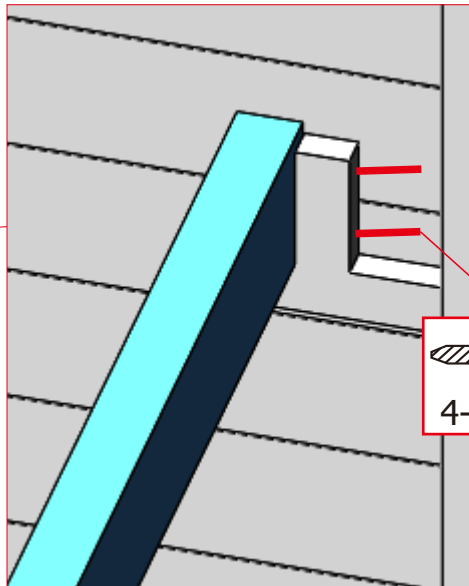
(6)

ASSEMBLE INSTRUCTIONS

Assemble steps



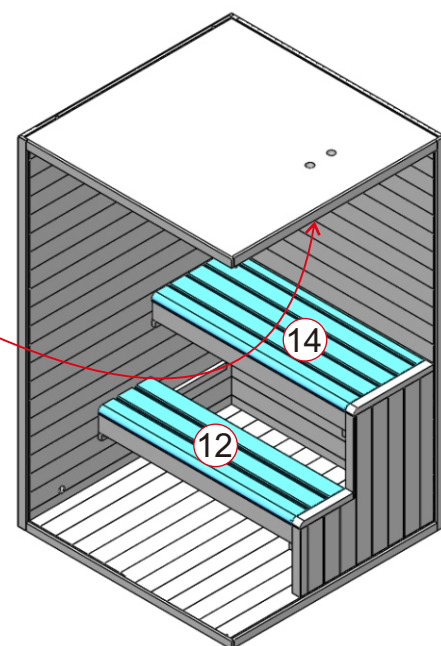
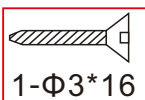
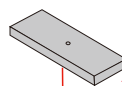
(7)



8

10x3

9x2



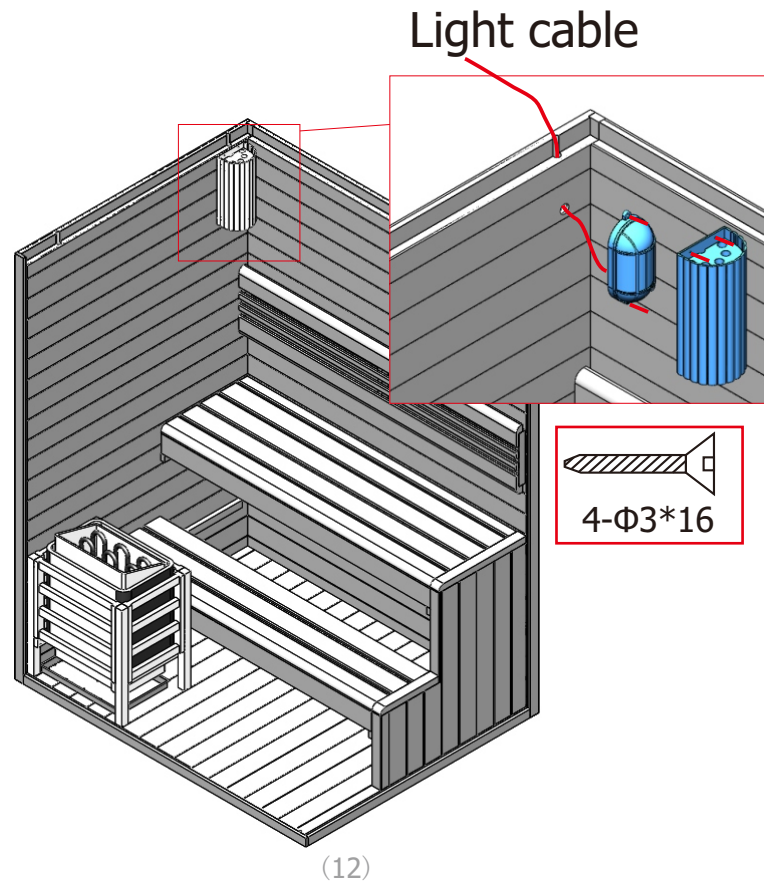
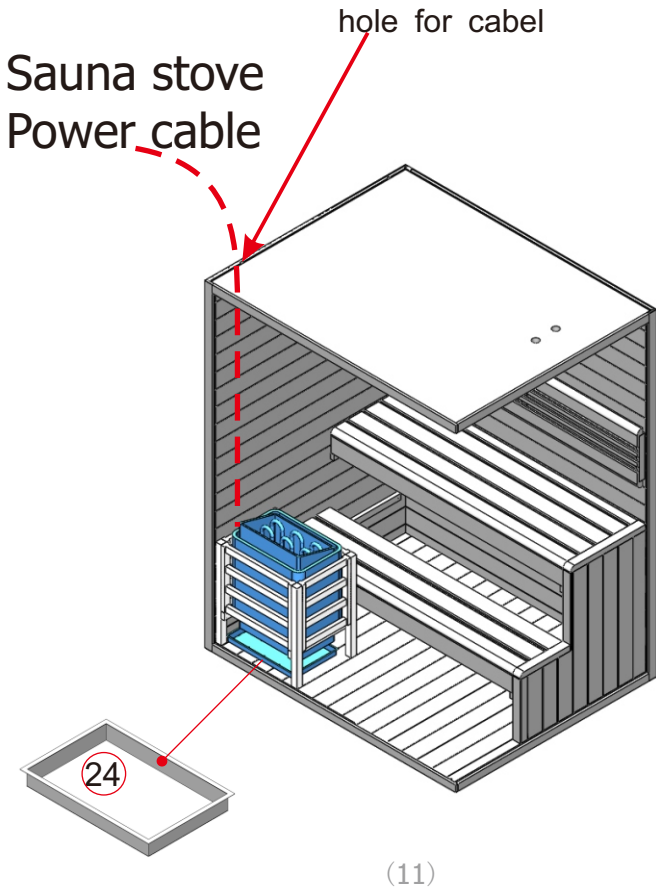
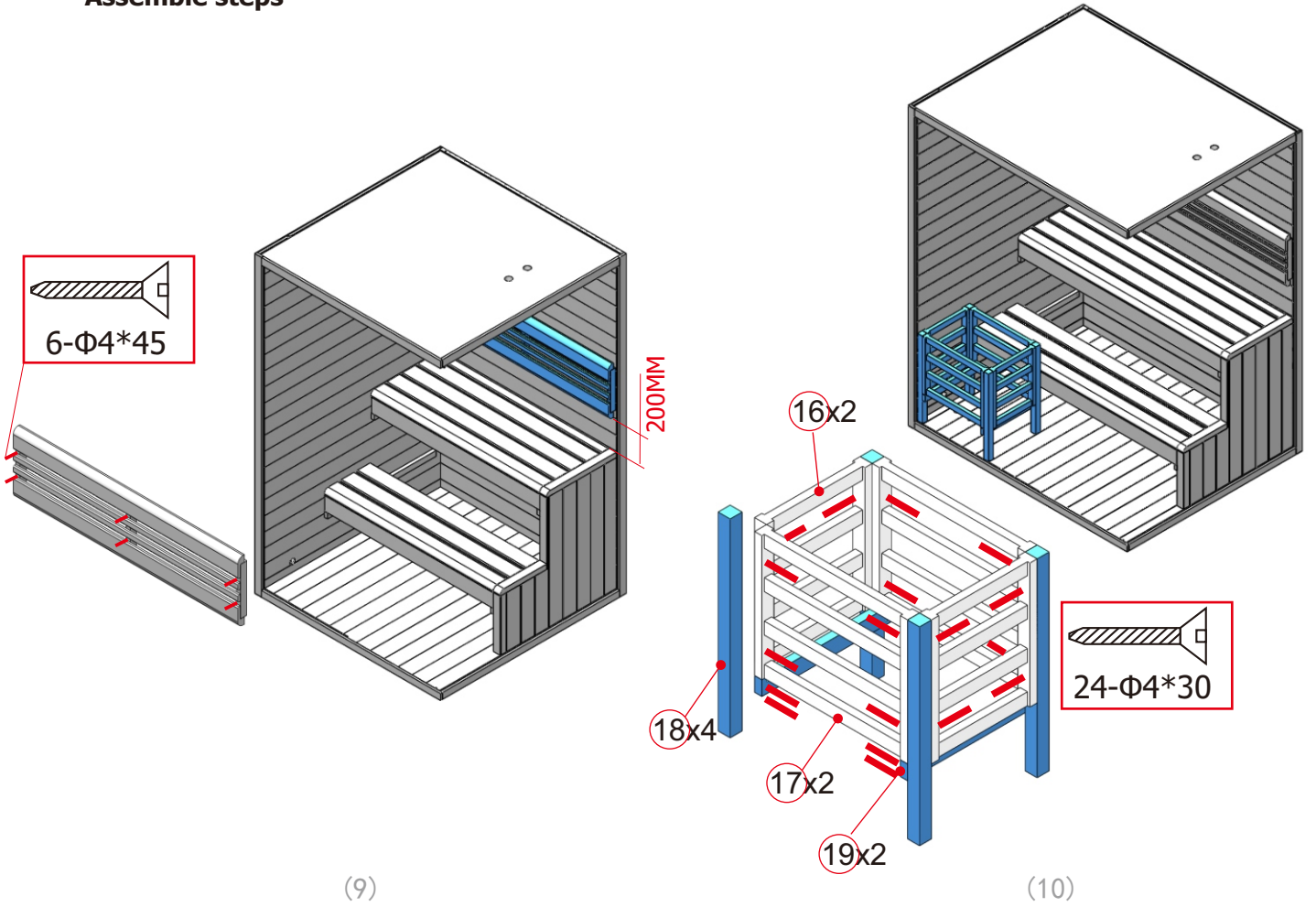
(8)

14

12

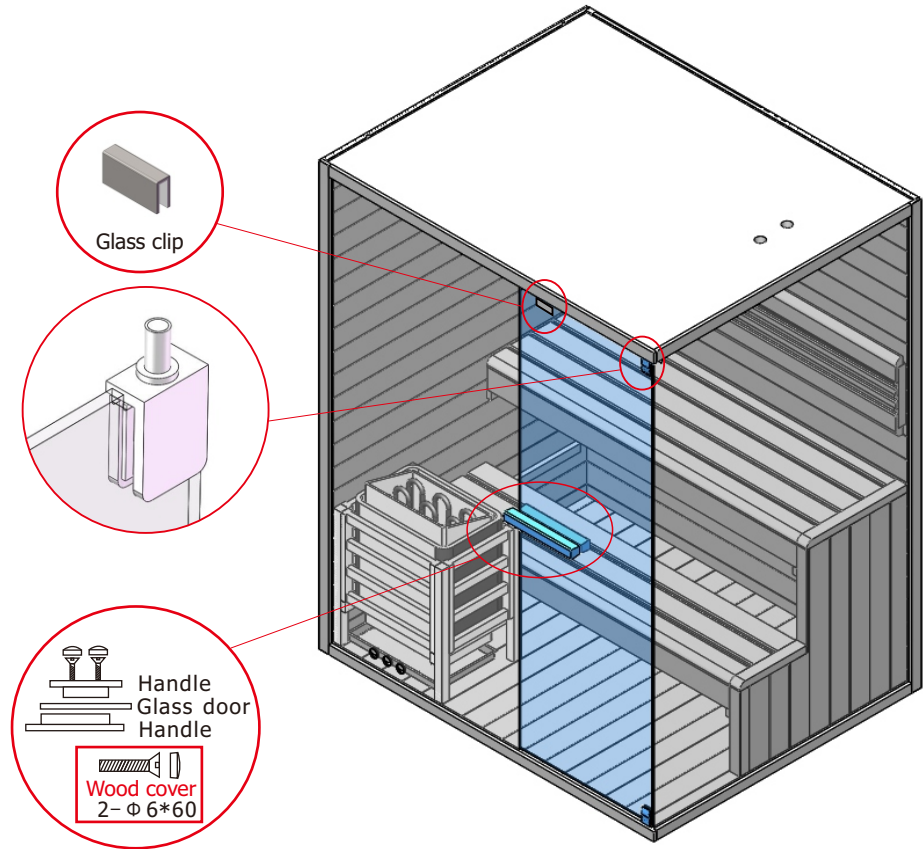
ASSEMBLE INSTRUCTIONS

Assemble steps

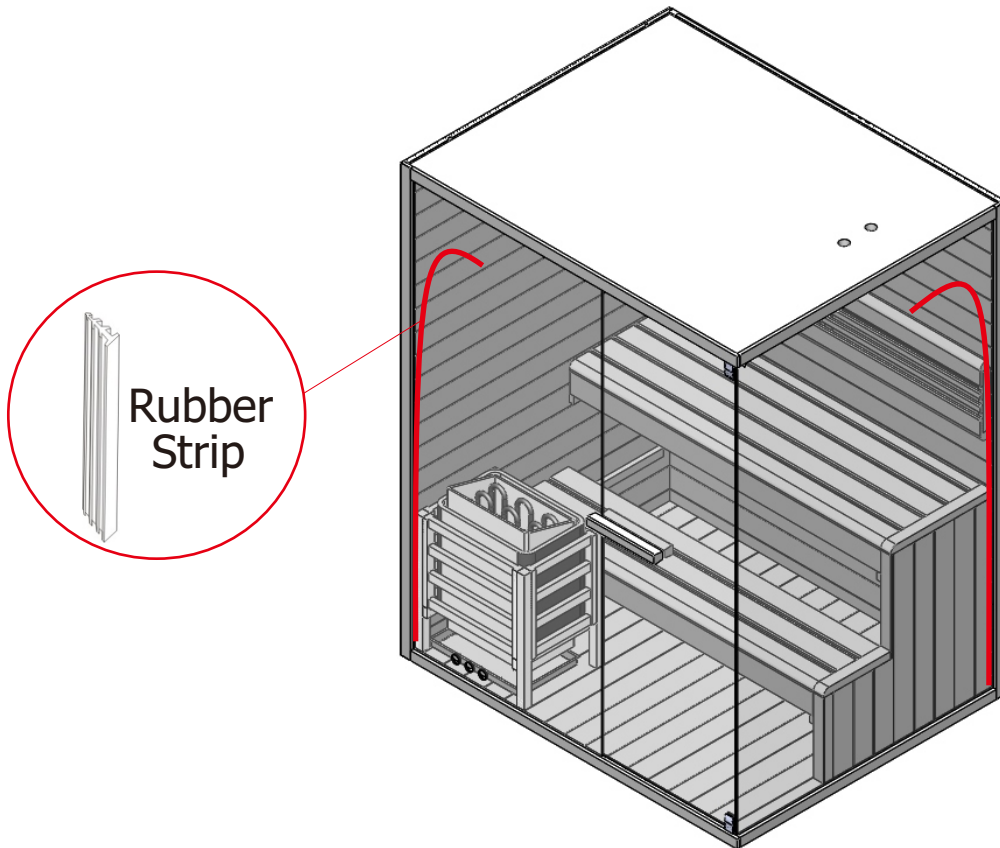


ASSEMBLE INSTRUCTIONS

Assemble steps



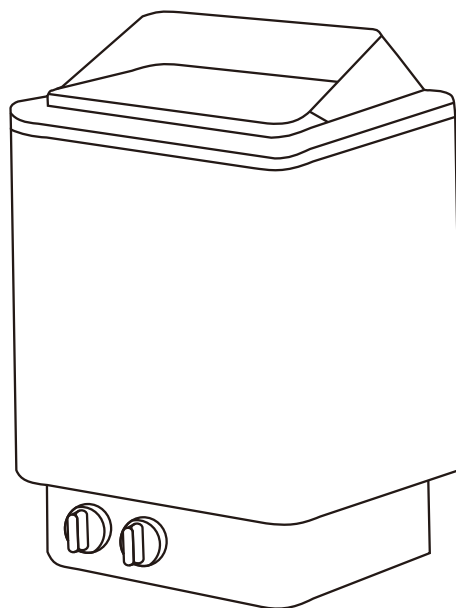
(13)



(14)

INSTALLATION MANUAL FOR MODELS

SCA-45



SAUNA HEATER

Use ordinary drinking water only, other materials poured into the stone compartment may damage the heating elements, which is beyond our guarantee

WARNING:
PLEASE READ THIS MANUAL
CAREFULLY BEFORE USE

SAUNA ROCKS

Load adequate sauna rocks (10-15kg) into the sauna heater after finishing the installation of sauna heater and controller.

ATTENTION: Sauna rocks must be of finest qualities because temperature inside sauna heater is extremely high. Rocks not be able to withstand heat and the great heat changes easily break or get crumbling and damage the heating elements, or are easily oxidized which in return counteract the heat circulation and damage the sauna heater while being heated or being thrown water to for vapors causes.

WARNING

1. Electrical shock hazard -----there are no owner serviceable parts in sauna heater. To avoid electrical shock hazard, all installations and relevant services shall be performed by qualified personnel.
2. Sauna shall be less than half an hour. Bathing too long may cause heart beating too fast, light heartache, feeling weak or dizzy. Should the bather stop bathing immediately as soon as the above symptoms occur.
3. Sauna bath may cause tension to the bather. Thus, one who is one of the followings should be directed by physician:
 - A. Being pregnant
 - B. Having heart disease
 - C. Having high blood pressure
 - D. Having circulation system disease
 - E. After drinking
 - F. After taking medicine.
 - G. Diabetes
 - H. Not feeling well.
4. Children must be under the company of adult in taking sauna bath.
5. Risk of scald: Must not touch the sauna heater or trim during heating, as it is hot. Stay at least 30 cm away from the hot heater.

GUARANTEE

1. Control panel is under one year guarantee.
2. Main body of sauna heater is under one year guarantee.
3. The following situations are not guaranteed:
 - 1) Installation or internal structure disassembling by unprofessional personnel
 - 2) supply voltage fluctuation range ± 10
 - 3) unqualified rocks on sauna heater's compartment
 - 4) installation without following the dimension instruction of manual

354SkSM 110A

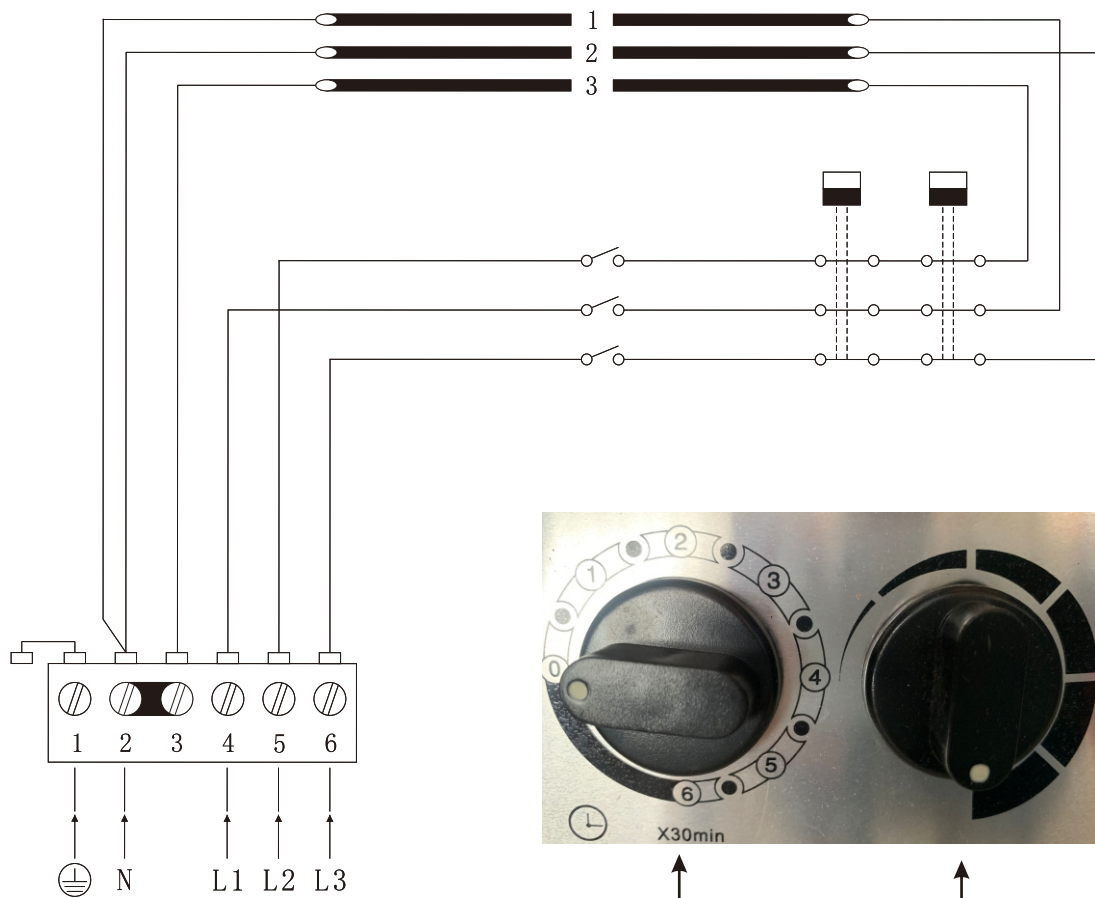
Heating Elements

**Power
KW**

SEPC 64
1500W

4.5

1, 2, 3



380V 3N~/415V 3N~



Time controller
0-180Min

Temperature sensor

- (1) L L1 L2 L3-Connection ports of live wire
- (2) N-----Connection port of neuter wire
- (3) ⊕-----Connection port of grounding wire

Installation

Install the sauna heater onto the wall with the screw provided in the heater, according to the minimum safety distances and volumes, or on the plate of the heater.

- Do not cover the wall behind the heater with materials like asbestos or eternit plates etc, because this sort of covering protection could cause too temperature and a risk of burn.
- Must use qualified materials for the walls and ceiling.

Connection of Electricity Supply Cable

Only the qualified electrician may conduct the electricity supply connections of the heater cables taking into consideration of current, valid electrical safety regulations. The connecting cables of the mains supply to the heater must be of REVE rubber insulated cables or at least an equivalent.

Sauna stones

Since the sauna stones may be dusty, we recommend that they should be rinsed before being loaded into the heater container; the largest ones should be loaded at the bottom. Do not load the stones too tight so that air can easily move between the stones whereby a good even cooling can be got for the heating elements. Reload when stones broken or crumbling so that these stones can be got out of the heater before the heating elements get damaged. The diameter of the stones is usually of 3–8 cm.

Temperature Control

The thermostat can control the temperature in an ideal condition. Sauna heater can reach to a preset temperature in 30 to 60 minutes depending on the size of sauna room. Thermostat of three phases electricity can fulfill the preservation of a good even comfortable temperature in sauna room.

Power Switch

The power switch is the main power switch of sauna heater which should be switched off while leaving sauna.

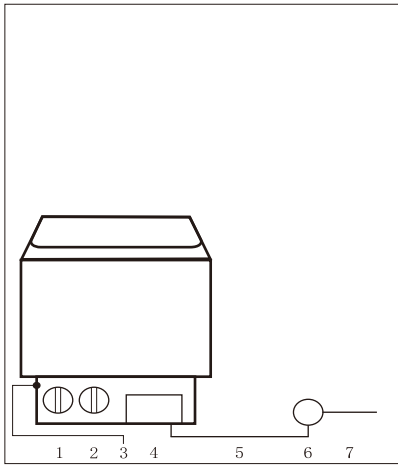
Ventilation

Good ventilation is a must for the sauna, and correctly installed ventilation creates agreeable bathing conditions, but yet still save energy. For the ventilation to be successful it is important where the ventilation openings are suited. The fresh air intake should be better situated on the wall near the bottom of the sauna heater. The diameter of air inlet must be at least 6 cm.

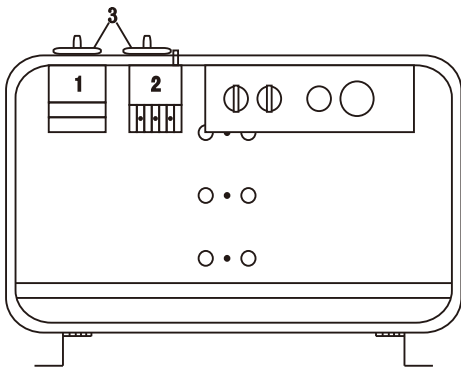
The exhaust opening should be better situated on the wall opposite to and as far as possible from the air intake. The diameter of the exhaust opening must be twice the size of the intake.

The exhaust opening must be situated under the bottom of the upper benches.

Noted: the upper screws must be fastened tight, the minimum distances between screw head and wall must be 3mm.



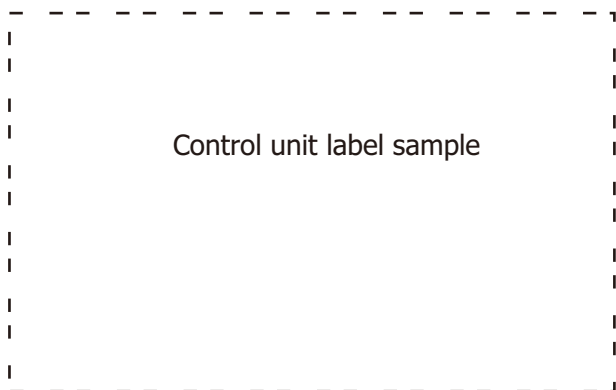
- 1、 Power switch
- 2、 Thermostat
- 3、 Temperature limit reposition
- 4、 Junction box
- 5、 Electricity supply cable
- 6、 Electricity connection box
- 7、 Connecting cable



Model	Power	Cables to	
FK-45	KW	380V 3ph 415V 3ph mm ²	220V 1ph 240V 1ph mm ²
	4.5	5 X 1.5	3 X 4

SERVICE

GUARANTEE CARD



Fill in this form and make a picture of it and Email to:

Date of purchase: _____

Serial Number: _____

Reference number: _____

Name: _____

Article state (unopened, just opened or used): _____

Please encircle on picture below which heater or which panel has a fault.

Attach pictures of the problem and send them through email.